

**2007 Dawn/GRaND
Gamma Ray and Neutron Detector**

**GRaND STANDARD DATA PRODUCTS
AND ARCHIVE VOLUME
SOFTWARE INTERFACE SPECIFICATION**

**(GRaND EDR & RDR Archive Product and Volume
SIS)**

Draft 2.2
rev. 16-Sep-2014

T.H. Prettyman
Planetary Science Institute
Albuquerque, NM
USA

S. Joy and J. Mafi
Dawn Science Center
University of California, Los Angeles
Los Angeles, CA 90095-1567

**2007 Dawn/GRaND
Gamma Ray and Neutron Detector**

**GRaND STANDARD DATA PRODUCTS
ARCHIVE VOLUMES
SOFTWARE INTERFACE SPECIFICATION
(GRaND EDR & RDR Archive Volumes SIS)**

Version 2.2
rev. 16-Sep-2014

Approved:

Thomas H. Prettyman
Experiment Team Lead

Date

Steven P. Joy
Dawn Science Center Manager

Date

Christopher T. Russell
Dawn Principal Investigator

Date

Michael F. A'Hearn
PDS Lead Node (SBN) Manager

Date

1. INTRODUCTION.....	3
1.1. Distribution List.....	4
1.2. Document Change Log.....	4
1.3. TBD Items	5
1.4. Acronyms and Abbreviations.....	5
1.5. Glossary.....	6
1.6. Dawn Mission Overview.....	7
1.7. Content Overview.....	9
1.8. Scope.....	9
1.9. Relationship to Other Dawn Archives	9
1.10. Applicable Documents	9
1.11. Audience.....	11
2. Gamma Ray and Neutron Detector Instrument Description.....	12
2.1. Science Objectives.....	12
2.2. Measurement Principle.....	12
2.3. Detectors.....	13
2.4. Electronics	17
2.5. Measured Parameters	17
2.6. Operational Modes	19
2.7. Operational Considerations	20
2.8. Ground Calibration.....	20
2.9. Inflight Calibration	20
3. Data Set Overview.....	21
3.1 Data Sets	21
3.2 Level-0 Data Flow.....	23
3.3 Data Processing and Production Pipeline	24
3.4 Data Flow	26
3.5 Data Validation.....	28
3.6 Archive Schedule.....	28
4. Archive Volumes.....	29
4.1 Volume Creation	29
4.2 Volume Format.....	29
4.3 Volume Labeling and Identification	29
4.4 PDS Peer Review	29
5. Archive Volume Contents.....	31
5.1 Root Directory Contents.....	31
5.2 INDEX Directory Contents.....	31
5.3 CATALOG Directory Contents	32
5.4 CALIB Directory Contents	32
5.5 DATA (Standard Products) Directory Contents and Naming Conventions.....	32
6. Archive Volume Contents.....	35
6.1 EDR Data Product Format Description	35
6.2 Example state (.STA) file.....	38
6.3 RDR Data Product Format Description	39
6.4 Data Product Design.....	40

A. Appendix A: Sample PDS Labels	45
A.1 EDR Data Product Label	45
A.2 EDR Data Product Structure File	46
A.3 RDR Data Product Label.....	84
A.4 RDR Data Product Structure File.....	86
A.5 Index Table Label.....	103
A.6 Example Document Label.....	108
B. Appendix B. Support Staff and Cognizant Persons	111

1. INTRODUCTION

This document describes the contents and types of archive volumes belonging to all of the Dawn GRaND NASA level 1 (CODMAC levels 2 and 3) data sets.

The archive contains experimental data records (EDR) acquired by GRaND during Earth-Mars Cruise, Mars Gravity Assist, Mars-Vesta Cruise, and Vesta encounter from October 10, 2007 to August 9, 2012. In February of 2009, Dawn flew by Mars, bringing GRaND close enough to the surface to measure neutron and gamma ray leakage spectra. The data from Mars Gravity Assist (MGA) were reduced and analyzed for calibration purposes. An analysis of Mars fly-by data is given by Prettyman et al. (2011). In 2011 and 2012, Dawn acquired science data at Vesta. Studies with GRaND data strengthened the link between Vesta and the HEDs and revealed traces of exogenic, H-rich materials in Vesta's regolith (Prettyman et al., 2012, 2013; Lawrence et al., 2013; Peplowski et al., 2013; Yamashita et al., 2013). Reduced Data Records (RDR) for MGA and Vesta encounter are included in the archive.

The EDR (Level1A) and RDR (Level1B) provide a time ordered collection of gamma ray and neutron counting data including histograms and pulse height spectra. In addition to counting data, EDR include state-of-health data (instrument settings, temperature and voltage readings) needed for scientific analysis of the neutron and gamma ray data. The RDR include calibrated pulse height spectra, counting rates, propagated uncertainties, and ancillary pointing and ephemeris data needed for mapping. In developing the archive, ASCII tables were used, where possible, to maximize portability and ease of use. As a result, there are only two binary type data files (Level1A) in the archive. In addition, IDL routines are provided to read the Level1A data. The Level1B data sets consist entirely of human-readable, ASCII tables.

This document provides an overview of the archive, and details on the structure and format of the data (Section 6). The detailed processing steps are described in the Data Processing Document that accompanies this archive (in PDF and HTML formats as `GRaND_Data_Proc.pdf` and `GRaND_Data_Proc.htm`, respectively). Much of the information in the Data Processing Document is repeated in the GRaND instrument manuscript (Prettyman et al., 2011), which also includes some examples of how the data can be used (e.g., the analysis of MGA data). A complete list of data acquired during flight up to Vesta approach can be found in the Data Processing Document and instrument manuscript. Additional data processing documents are provided for Vesta encounter, which present the state-of-the-art for Level 1B processing: `GRD_L1B_EPG_v1.pdf` (Prettyman 2014a); and `GRD_L1B_BGO_Data_Processing_v3.pdf` (Yamasita and Prettyman 2014).

The information provided here is supplemented by formal Activity Reports, which are included in the archive. The reports describe each of the major activities, including goals, issues, and outcomes. During Vesta encounter, status reports were generated automatically by the data processing pipeline. These included instrument state information, and charts with state-of-health and histograms, which served as a guide to GRaND's state-of-health and measurement conditions. Similar status reports accompany the PDS data, providing an overview of data within each top-level directory.

1.1. Distribution List

<i>Table 1: Distribution List</i>	
Name	Email
T. Prettyman	prettyman@psi.edu
N. Yamashita	yamashita@psi.edu
M. A'Hearn	ma@astro.umd.edu
C. Neese	neese@psi.edu
S. Joy	sjoy@igpp.ucla.edu
J. Mafi	jmafi@igpp.ucla.edu
C. Raymond	carol.raymond@jpl.nasa.gov
C. Russell	ctrussell@igpp.ucla.edu

1.2. Document Change Log

<i>Table 2: Document Change History</i>		
Change	Date	Affected Portions
Boilerplate Draft by S. Joy	18 Jun 2009	All
Additions by J. Mafi	15 Oct 2009	All
Revisions by T. Prettyman	23 Dec 2009	All
Revisions by T. Prettyman to include description of EDR and RDR data files	5 Jan 2010	Revised section 6
Updates to mission description and various tables; added higher level product information	26 Jan 2010	1.2, 1.3, 1.6, 3.1, 3.3, 3.6, 4.3, 5.1-5.6, 6.1, 6.3
Corrections (typo corrections, and additional text) requested in peer review	7 May 2010	1.8, 1.10, 2.2, 2.4, 2.5, 3.3, 3.5, 3.6, 5.6, 6, 6.4
Table of content format	19 Aug 2010	Table of contents
Revisions and corrections by T. Prettyman to address review comments	29 Sep 2010	All
Updated label and FMT file samples to latest versions	13 Jun 2011	6.4.6-6.4.7, A.1-A.4
Revisions and corrections by T. Prettyman to address reviewer comments.	2-Feb-2012	5 and 6
Corrected numbering of subsections in Section 6.5; Removed reference to datainfo.txt in Section 5.5.1; Updated applicable documents	11-Jul-2013	6.5; 5.5.1; 1.10
Addition of documentation of Vesta reduced data records by T. Prettyman	16-Sep-2014	1, 1.6, 1.10, 2.2, 3.1, 3.1.1, 3.3.2, 3.3.3, 6.3, B

1.3. TBD Items

Items that are currently TBD or not finalized, but need to be defined prior to release:

<i>Table 3: TBD Items</i>		
Item	Section	Pages
Relationship to other Dawn archives	1.9	

1.4. Acronyms and Abbreviations

<i>Table 4: Acronyms, Initialisms, and Abbreviations</i>	
Acronym	Definition
ASCII	American Standard Code for Information Interchange
CDROM	Compact Disc, Read Only Memory
CODMAC	Committee on Data Management and Computation
DHSU	Data Handling and Support Unit
DSC	Dawn Science Center
DSDb	Dawn Science Database
DVD	Digital Versatile Disc
EGSE	Engineering Ground Support Equipment
FC	Framing Camera(s)
FLTOPS	JPL Multi-mission Flight Operations
Gb	Gigabit(s)
GB	Gigabyte(s)
GRaND	Gamma Ray and Neutron Detector
GSE	Gravity Science Experiment
HAMO	High Altitude Mapping Orbit
INAF	Istituto Nazionale AstroFisica
ISO	International Standards Organization
JPL	Jet Propulsion Laboratory
LAMO	Low Altitude Mapping Orbit

Table 4: Acronyms, Initialisms, and Abbreviations

Acronym	Definition
NSSDC	National Space Science Data Center
ME	Main Electronics
OM	Optics Module
PDB	Project Database
PDS	Planetary Data System
PEM	Proximity Electronics Module
RMOC	Remote Mission Operations Center
SAMO	Survey Altitude Mapping Orbit
SBN	Small Bodies Node
S/C	Spacecraft
ST	Science Team
SIS	Software Interface Specification
TM	TeleMetry
TBD	To Be Determined
UCLA	University of California, Los Angeles
VIR	Visual and Infrared Mapping Spectrometer

1.5. Glossary

Archive – An archive consists of one or more Data Sets along with all the documentation and ancillary information needed to understand and use the data. An archive is a logical construct independent of the medium on which it is stored.

Archive Volume – A collection of files formatted according to the PDS Archive Volume standards. This collection may be electronic or stored on a PDS approved physical media such as DVD or CDROM.

Archive Volume Set – A collection of one or more Archive Volumes used to store a single Data Set or collection of related Data Sets.

Catalog Information – High-level descriptive information about a Data Set (e.g., mission description, spacecraft description, instrument description), expressed in Object Description Language (ODL), which is suitable for loading into a PDS catalog.

Data Product – A labeled grouping of data resulting from a scientific observation, usually stored in one file. A product label identifies, describes, and defines the structure of the data. An example of a Data Product is a planetary image, a spectral table, or a time series table.

Data Set – A Data Set is a collection of Data Products from a single instrument that have a common data processing level, together with supporting documentation and ancillary files.

Standard Data Product – A Data Product generated in a predefined way using well-understood procedures, processed in "pipeline" fashion. Data Products that are generated in a non-standard way are sometimes called *special Data Products*.

1.6. Dawn Mission Overview

The Dawn mission will study two main belt asteroids, Vesta and Ceres. Both bodies are believed to have accreted early in the history of the solar system. They have been selected because while they can speak to conditions and processes early in the formation of the solar system, they developed into two characteristically different bodies. Vesta is a dry differentiated body with a surface showing signs of resurfacing. Ceres has a primitive surface containing water-bearing minerals and may possess a weak atmosphere. By studying both these bodies, the Dawn mission hopes to compare the different evolutionary path each took as well as characterize conditions of the early solar system.

To carry out its scientific mission, the Dawn spacecraft carries three science instruments. These instruments are: a visible camera (FC), a visible and infrared mapping spectrometer (VIR), and a gamma ray and neutron spectrometer (GRaND). In addition to these instruments, radiometric and optical navigation data will provide data relating to the gravity field and thus bulk properties and internal structure of the two bodies (GSE).

The Dawn spacecraft was launched on September 27, 2007 on a Delta II 2925-9.5 Heavy from Cape Canaveral Air Force Station. Using its ion propulsion subsystem the spacecraft will thrust on a trajectory (**Figure 1**) that will have it arriving nominally at Vesta in August, 2011. Once arriving at Vesta, the spacecraft will enter a series of circular near-polar orbits. These different orbits will be varied in altitude and orientation relative to the sun to achieve the best positioning for the various observations planned. A minimum of seven months will be spent observing Vesta before departing.

After completing its data collection campaign at Vesta, the Dawn spacecraft will use its ion propulsion subsystem to leave Vesta and travel on to Ceres, making it the first spacecraft ever to orbit one extraterrestrial body, depart, and then orbit a second body. It will arrive at Ceres in February, 2015 and like its rendezvous at Vesta, it will enter a series of circular near-polar orbits. The spacecraft will spend a minimum of five months in orbit at Ceres at various altitudes collecting science data.

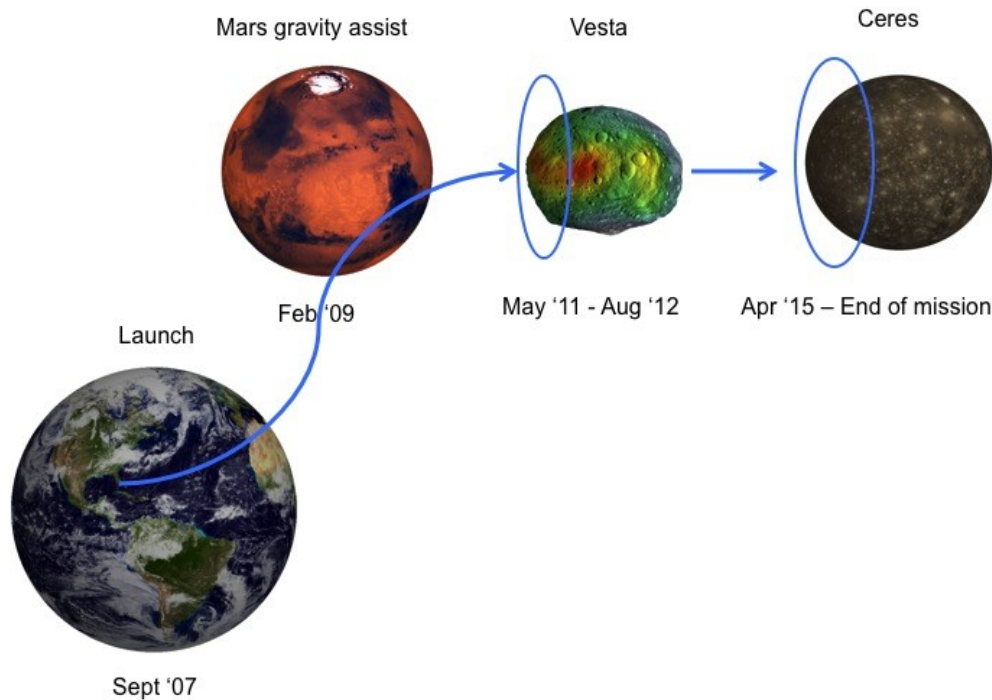


Figure 1 Overview of Dawn Mission.

Dawn is an asteroid mapping mission. Each asteroid encounter has been sub-divided into three mapping phases, each at different altitudes, and each with different science objectives and primary experiments. Shortly after orbit capture the spacecraft will enter into a survey altitude mapping orbit (SAMO) where the VIR instrument is primary. This phase is relatively short, lasting for only 2-3 orbits. Global spectroscopy data and low resolution global image mosaics will be acquired during these phases at each asteroid. After SAMO, the spacecraft will be maneuvered into a high altitude mapping orbit (HAMO) where the FC instrument is primary. Medium resolution global stereo imaging will be performed at this altitude (700 km Vesta, 1200 km Ceres) while local high resolution spectroscopy data is acquired. Finally, the spacecraft will proceed to the low altitude mapping orbit (LAMO) where the GRaND and gravity experiments will collect their prime data and additional, local, high resolution imaging and spectroscopy data will be acquired. On asteroid approach, all of the instruments will perform in-flight calibrations and acquire data that will be used to characterize the hazards of the near asteroid environment (dust) and search for moons.

1.7. Content Overview

Chapter 2 describes the GRaND instrument, including its primary science objectives, detectors, electronics, operation, and calibration.

Chapter 3 describes the data sets, data volume, data processing and production, data flow, and scientific data validation.

Chapter 4 describes the archive volume generation, volume naming conventions, production, and PDS peer review.

Chapter 5 describes the PDS archive volume structure, the contents of each directory, and the various file naming conventions.

Chapter 6 describes the format of the EDR and RDR data files

Appendix A provides example PDS labels for the data files, index and geometry tables, and an example document label.

Appendix B lists the support staff and cognizant personnel associated with the archive generation and validation.

1.8. Scope

This specification applies to all archive volumes containing GRaND data products for the duration of its mission.

1.9. Relationship to Other Dawn Archives

TBD

1.10. Applicable Documents

Planetary Science Data Dictionary Document, August 28, 2002, Planetary Data System, JPL D-7116, Rev. E

Planetary Data System Standards Reference, March 20, 2006, Version 3.7. JPL D-7669, Part 2.

Planetary Data System Archive Preparation Guide, August 29, 2006, Version 1.1. JPL D-31224.

- Dawn Science Data Management Plan*, March, XX, 2007, DAWN-31-4032, JPL D-25901, Rev. A.
- Lawrence D. J., Peplowski P. N., Prettyman T. H., Feldman, W. C., Bazell D., Mittlefehldt D. W., Reedy R. C., and Yamashita N. 2013. Constraints on Vesta's elemental composition: Fast neutron measurements by Dawn's gamma ray and neutron detector. *Meteoritics & Planetary Science*, doi:10.1111/maps.12187.
- Peplowski P. N., Lawrence D. J., Prettyman T. H., Yamashita N., Bazell D., Feldman W. C., and Reedy R. C. 2013. Compositional variability on the surface of 4 Vesta revealed through GRaND measurements of high-energy gamma rays. *Meteoritics & Planetary Science*, doi:10.1111/maps.12176.
- Prettyman, T.H., W.C. Feldman, F. P. Ameduri, B. L. Barraclough, E. W. Cascio, K. R. Fuller, H. O. Funsten, D. J. Lawrence, G. W. McKinney, C. T. Russell, S. A. Soldner, S. A. Storms, Cs. Szeles, R. L. Tokar 2003, Gamma-ray and neutron spectrometer for the Dawn mission to 1 Ceres and 4 Vesta, *IEEE Transactions on Nuclear Science* Volume: 50, Issue: 4, 1, August 2003, pp. 1190-1197, DOI 10.1109/TNS.2003.815156.
- Prettyman, T.H, W. C. Feldman, H. Y. McSween, R. D. Dingler, D. C. Enemark, D. E. Patrick, S. A. Storms, J. S. Hendricks, J. P. Morgenthaler, and K. M. Pitma 2011, Dawn's Gamma Ray and Neutron Detector, *Space Sci. Rev.*, Vol. 163, pp. 371-459, DOI 10.1007/s11214-011-9862-0.
- Prettyman T. H., Mittlefehldt D. W., Yamashita N., Lawrence D. J., Beck A. W., Feldman W. C., McCoy T. J., McSween H. Y., Toplis M. J., Titus T. N., Tricarico P., Reedy R. C., Hendricks J. S., Forni O., Le Corre L., Li J.-Y., Mizzon H., Reddy V., Raymond C. A., and Russell C. T. (2012), Elemental mapping by Dawn reveals exogenic H in Vesta's regolith, *Science* 388 242-246, <http://dx.doi.org/10.1126/science.1225354>
- Prettyman, T. H., Mittlefehldt, D. W., Yamashita, N., Beck, A. W., Feldman, W. C., Hendricks, J. S., Lawrence, D. J., McCoy, T. J., McSween, H. Y., Peplowski, P. N., Reedy, R. C., Toplis, M. J., Le Corre, L., Mizzon, H., Reddy, V., Titus, T. N., Raymond, C. A., Russell, C. T. 2013. Neutron absorption constraints on the composition of 4 Vesta. *Meteoritics & Planetary Science*, doi: 10.1111/maps.12244.
- Prettyman, T.H. and W.C. Feldman (2013), *PDS data processing: Gamma Ray and Neutron Detector*, Version 5.1, included in this volume (11-Jul-2013).
- Prettyman, T.H. (2014a), Dawn's gamma ray and neutron detector: Ephemeris, pointing & geometry at Vesta, Version 1.0, included in this volume (28-Jul-2014).
- Prettyman, T.H. (2014b), Remote sensing of chemical elements using nuclear spectroscopy, in T. Spohn, D. Breuer, & T. V. Johnson (Eds.), *Encyclopedia of the Solar System*, Elsevier (pp. 1161-1183). ISBN 9780124158450
- Yamashita N., Prettyman T. H., Mittlefehldt D. W., Reedy R. C., Feldman W. C., Lawrence D. J., Peplowski P. N., McCoy T. J., Beck A. W., Toplis M. J., Forni O., Mizzon H., Raymond C. A., and Russell C. T. 2013. Distribution of iron on Vesta. *Meteoritics & Planetary Science*, doi:10.1111/maps.12139.

Yamashita, N. and T.H. Prettyman (2014), Dawn's gamma ray and neutron detector: BGO data processing, Version 3.0, included in this volume (16-Sep-2014).

1.11. Audience

This specification is useful to those who wish to understand the format and content of the GRaND PDS data product archive collection. Typically, these individuals would be scientists, data analysts, or software engineers. Details of the archive can be found in the data set catalog files and Data Processing Documents, and Prettyman et al. (2011). An overview of the archive is provided here.

2. Gamma Ray and Neutron Detector Instrument Description

The Dawn Mission's Gamma Ray and Neutron Detector (GRaND) is a nuclear spectrometer that will collect data needed to map the elemental composition of the surfaces of 4-Vesta and 1-Ceres (Prettyman, et al., 2003; Prettyman et al., 2011). Results for Vesta are given by Prettyman et al. (2012, 2013), Lawrence et al. (2013), Peplowski et al. (2013) and Yamashita et al. (2013). GRaND measures the spectrum of planetary gamma rays and neutrons, which originate from cosmic ray interactions and radioactive decay within the surface, while the spacecraft (S/C) is in orbit around each body. The instrument, which is mounted on the +Z deck of the spacecraft, consists of 21 sensors designed to separately measure radiation originating from the surface of each asteroid and background sources, including the space energetic particle environment and cosmic ray interactions with the spacecraft. The nuclear spectroscopy data provided by GRaND will be analyzed to determine the abundance of major, rock forming elements, such as O, Mg, Si, Al, Ca, Ti, and Fe; incompatible elements, including K and Th, detected by gamma ray emissions from the decay of long-lived radioisotopes; and H, C, N, and Cl, which are constituents of ices and products of aqueous alteration of silicate minerals.

2.1. Science Objectives

Scientific objectives include:

- provide geochemical data needed to constrain the thermal evolution of Vesta and Ceres, and to determine the role of water in their development;
- if detectable, determine the contribution of long-lived radioisotopes to the global heat balance;
- constrain the composition of the primordial solar nebula as a function of heliocentric distance (for example, measure the K/Th ratio to determine the proportion of volatile to refractory elements in the source material from which Vesta and Ceres accreted);
- constrain the interior composition of Vesta and Ceres by measuring stratigraphic variations within large impact basins that probe the crust and mantle (for example, the large, south-polar basin on Vesta);
- determine sources of near-surface hydrogen and detect and characterize compositional layering (for example, determine the depth of the ice table at high latitudes on Ceres);
- at Vesta, determine the relationship between compositional terranes and HED meteorites (Is the chemistry of Vesta more diverse than suggested by HEDs?);
- at Ceres, search for chemical evidence of the primitive crust and aqueous alteration products to constrain internal structure (e.g. subsurface ocean?) and crustal evolution

2.2. Measurement Principle

Nuclear spectroscopy is used to determine the elemental composition of planetary surfaces and atmospheres [e.g. see Prettyman (2014b) for general review of gamma ray and neutron measurement principles]. Radiation, including gamma rays and neutrons, is produced steadily by cosmic ray bombardment of the surfaces and atmospheres of planetary bodies and by the decay of radionuclides in the regolith. The leakage flux of gamma rays and neutrons contains information about the abundance of major elements, selected trace elements, and ice constituents (e.g., H, C, and N) as well as elements associated with aqueous alteration products such as Cl. Gamma rays and neutrons can be measured at altitudes less than a planetary radius, enabling global mapping of elemental composition by an orbiting spacecraft. Radiation that escapes into

space originates from shallow depths (< 1 m within the solid surface). Consequently, nuclear spectroscopy is complementary to other surface mapping techniques, such as reflectance spectroscopy, which is used to determine the mineralogy of planetary surfaces. The main benefit of gamma ray and neutron spectroscopy is the ability to reliably identify elements important to planetary geochemistry and to accurately determine their abundance. This information can be combined with other remote sensing data, including surface thermal inertia and mineralogy, to investigate many aspects of planetary science.

Nuclear reactions and radioactive decay result in the emission of gamma rays with discrete energies, which provide a fingerprint that can uniquely identify specific elements in the surface. Depending on the composition of the surface, the abundance of major rock-forming elements such as O, Mg, Al, Si, Cl, Ca, Ti, Fe, as well as Cl, a tracer of aqueous alteration, H, and elements with radioisotopes (⁴⁰K, U series, Th series) can be determined from measurements of the gamma ray spectrum when they are present in detectable quantities. High energy neutrons produced by cosmic ray interactions lose energy in successive collisions with nuclei in the regolith, and are ultimately absorbed or escape into space. Their sensitivity to elemental composition depends on three main types of reactions that are important in three broad energy ranges measured by GRaND: inelastic scattering (important for fast neutrons greater than about 0.7 MeV); elastic scattering (epithermal neutrons between 0.1 eV to 0.7 MeV); and absorption (thermal neutrons less than 0.1 MeV). Fast neutrons are sensitive to the average atomic mass of the regolith when H is present in small quantities (H weight fractions less than a few hundred ppm). Epithermal neutrons are very sensitive to the abundance of H and are relatively insensitive to variations in the abundance of major elements. Thermal neutrons are sensitive to strong absorbers such as Fe, Ti, N, Cl, Gd, and Sm.

Close proximity to the planetary body is needed to measure neutrons and gamma rays because their production rate is relatively low in comparison, for example, to reflected sunlight. In addition, sensors used for gamma ray and neutron spectroscopy are generally insensitive to incident direction. Consequently, spatial resolution depends on orbital altitude, and higher resolution can be achieved by moving closer to the planet. Regional scale measurements are generally made using nuclear spectroscopy, in contrast to the meter to kilometer scale generally achieved by reflectance- and thermal emission-spectroscopy.

2.3. Detectors

GRaND uses scintillator- and semiconductor-based radiation sensors to detect neutrons and gamma rays as well as energetic particles from the space environment. A scintillator is a transparent material that converts the kinetic energy of charged particles (such as electrons produced by gamma ray interactions or alpha particles and recoil protons produced by neutron reactions) into flashes of light detectable by a photomultiplier tube or photodiode. Semiconductors can be used to detect gamma rays. Swift electrons produced by Compton and photoelectric interactions ionize the semiconductor, producing electron-hole pairs. The electrons and holes drift under the influence of an applied electric field to electrical contacts. As they drift, the electrons and holes induce charge on the contacts, which can be measured by a charge-sensitive preamplifier. The amplitude of the charge pulse is proportional to the energy deposited by the gamma ray, which enables semiconductors to be used for spectroscopy

The sensors and shielding/structural materials of GRaND were arranged to distinguish gamma rays and neutrons originating from the target body from those from background sources, including neutrons and gamma rays produced by cosmic rays in the bulk spacecraft, and energetic particle interactions with the instrument. The sensors on GRaND were selected to operate between -20°C and 30°C and do not require active cooling.

GRaND uses four types of radiation sensors, which are shown in the cutaway diagram of the instrument in Figure 2 (their energy ranges are summarized in Table 5):

1. Bismuth germinate (BGO) scintillator: A $7.6\text{ (X) cm} \times 7.6\text{ (Y) cm} \times 5.08\text{ (Z) cm}$ BGO crystal (approximately 300 cm^3 volume) is located in the center of the scintillator subassembly. The scintillator is coupled to a 5.08 cm diameter photomultiplier tube. BGO has high density and high atomic number and is sensitive to gamma rays over a wide energy range (up to 10 MeV). The pulse height resolution at room temperature is approximately 10% full-width-at-half-maximum (FWHM) at 662 keV .

2. Cadmium Zinc Telluride (CZT) semiconductor: A planar array of 4×4 CZT crystals is positioned on the $+Z$ side of the BGO crystal (Figure 2), which faces towards the asteroid during science mapping. Each crystal is $10\text{ mm} \times 10\text{ mm} \times 7\text{ mm}$. Consequently, the array has a sensitive volume of 11.2 cm^3 . Coplanar grids are used to mitigate the effects of hole trapping, resulting in excellent peak shape and pulse height resolution over a wide range of energies. The pulse height resolution was better than 3% FWHM at 662 keV during laboratory testing. The array was designed to measure gamma rays with energies up to 3 MeV . The relatively high energy resolution of the CZT array enables accurate measurement of gamma rays in the densely-populated, low energy region of the spectrum, which contains gamma rays from radioactive decay and cosmic-ray induced reactions within the surface of the asteroid

3. B-loaded plastic scintillator: Two L-shaped boron-loaded plastic (BLP) scintillators (each 193 cm^3) are located on the $-Y$ and $+Y$ sides, surrounding the sides of the BGO crystal and CZT array. The scintillators act as an anticoincidence shield to reject cosmic ray interactions. In addition, the scintillators are sensitive to neutrons. Fast neutrons (with energies greater than 700 keV) can undergo elastic scattering with H within the plastic to produce knock-on protons, which ionize the scintillator, resulting in the production of detectable light. In addition, thermal and epithermal neutrons can be captured via the $^{10}\text{B}(n,\alpha)^7\text{Li}^*$ reaction to produce 93 keV_{ee} light output. Note that the subscript “ee” indicates an electron-equivalent energy, corresponding to the energy a swift electron would need in order to produce the same light output as the reaction products. The reaction product, $^7\text{Li}^*$, produces a 478 keV prompt gamma ray. Fast neutrons with energies greater than 700 keV produce a characteristic double pulse signature, corresponding to light output from fast-neutron proton recoils followed later by neutron capture with ^{10}B after the neutron has thermalized. The amplitude of the first pulse is related to the energy of the incident neutron. Thermal and epithermal neutrons also produce a unique coincidence signature, corresponding to 93 keV_{ee} of light produced in the plastic in coincidence with 478 keV deposited in the BGO crystal.

4. Li-glass, B-loaded-plastic phosphor sandwich (phoswich): Two BLP scintillators are located on the nadir ($+Z$) and spacecraft ($-Z$) sides of the instrument, centered on the CZT array and BGO crystal. Each BLP scintillator is approximately $10.16\text{ cm} \times 10.16\text{ cm} \times 2.54\text{ cm}$ (264 cm^3) and is read out by a 2.54 cm diameter phototube. With the exception of the outward-facing side, each scintillator is covered with a sheet of Gd foil, which absorbs thermal neutrons. The outward facing side is covered by a plate of lithiated glass, 0.2 cm thick. The lithiated glass is optically-coupled to the BLP such that the phototube measures light produced in both the glass and the

plastic. ${}^6\text{Li}$ is a strong thermal neutron absorber. Consequently, the BLP is shielded from thermal neutrons. Epithermal neutrons that undergo capture via the ${}^{10}\text{B}(n,\alpha)$ reaction in the BLP produce 93 keV_{ee} . Thermal and epithermal neutrons can undergo neutron capture via the ${}^6\text{Li}(n,t)$ reaction, which produces approximately 340 keV_{ee} , and is seen as a separate peak in the pulse height spectrum. Consequently, the thermal neutron signature can be determined by the weighted difference between the counting rates observed for the two reactions. Fast neutrons are measured using the double pulse signature in the BLP. In addition, the (n,γ) BLP-BGO coincidence signature provides a low-background measurement of epithermal neutrons.

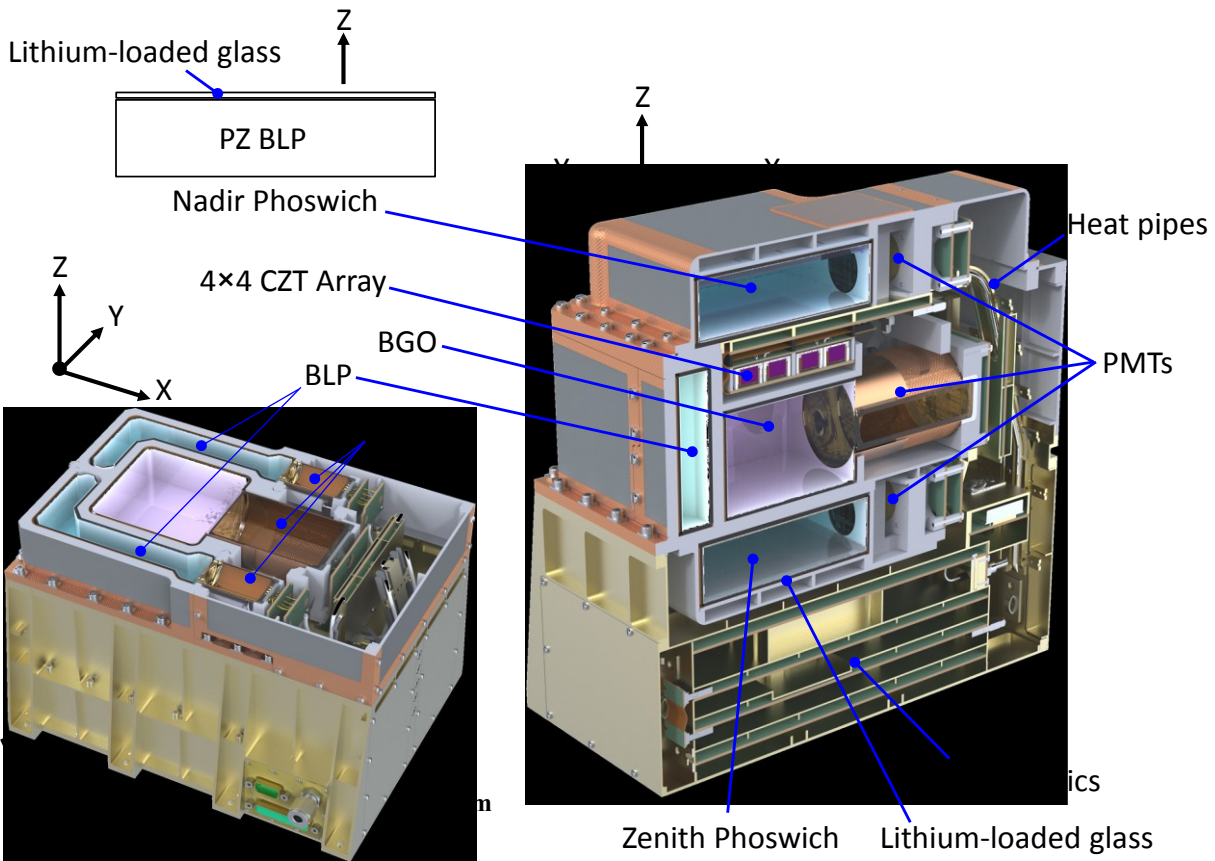


Figure 2. Cutaway views of GROUND

Cutaway views of GROUND show the placement of subsystems and components (an XY cut is shown left and a XZ cut is shown right). The coordinate system for GROUND is the same as that of the spacecraft. GROUND is mounted on the (+X, +Y) corner of the +Z deck of the spacecraft (Figure 3). During mapping at Vesta and Ceres, the body center is in the +Z direction. The instrument coordinate system determines the naming convention of the sensors and orientation of the instrument relative to the spacecraft. The use of MZ indicates a sensor on the -Z (spacecraft-facing during mapping) side of GROUND; PZ indicates the sensor is on the +Z (asteroid when pointing nadir) side; MY indicates the sensor is on the -Y side (inboard) side of the instrument; and PY indicates the sensor is on the +Y side (outboard, towards the +Y solar panel) side of the instrument. The phototube assembly, labeled 'PMTs' in the figure, points along the +X axis (towards the high gain antenna). A detailed diagram of the sensor layout is provided in Prettyman et al. (2011). Artwork courtesy S. Storms of Los Alamos National Laboratory.

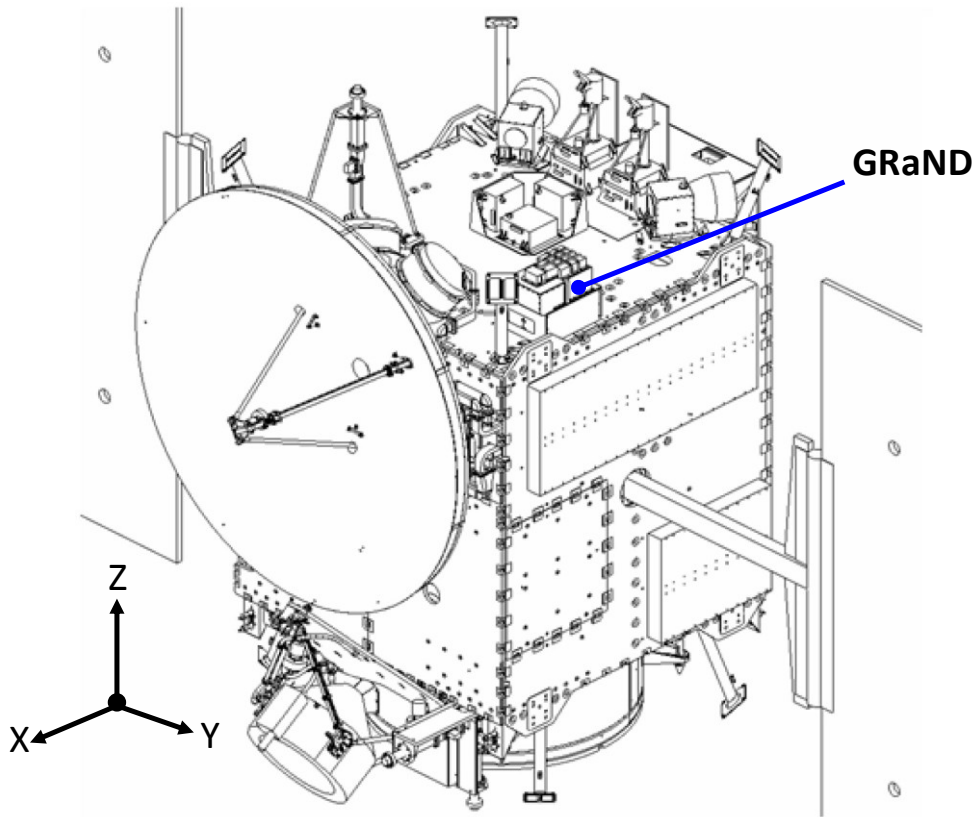


Figure 3. Location of GRaND

GRaND is mounted on the (+X, +Y) corner of the +Z deck of the spacecraft. During mapping at Vesta and Ceres, the body center is in the +Z direction.

Table 5. Approximate energy range and pulse height resolution of GRaND sensors at nominal high voltage settings.

Sensor	ADC bits ¹	Energy range (MeV)	keV per channel	Energy resolution	Threshold
±Z phos.	8	0 to 2.55	10	20% ² /40% ³	20 keV ⁴ /50 keV ⁵
±Y BLP	8	0 to 2.55	10	40% ³	20 keV ⁴ /50 keV ⁵
BGO	10	0 to 10	10	10.5% ⁶	300 keV
CZT	11	0 to 4	2	3% ⁶	300 keV

¹12-bit ADCs are used for all sensors. The maximum number of high-order bits used is given.

²Percentage full width at half maximum (FWHM) of the 260 keV_{ee} ⁶Li(n,t)⁴He reaction peak.

³Percentage FWHM of the 93 keV_{ee} ¹⁰B(n,α)⁷Li reaction peak.

⁴Prompt threshold; ⁵delayed threshold (second interaction for fast neutrons).

⁶Percentage FWHM at 662 keV (gamma rays from a ¹³⁷Cs source). Note that the pulse height resolution of the CZT sensors has gradually degraded in flight from the quoted value due to radiation damage (Prettyman et al., 2011).

2.4. Electronics

An electronics block diagram of GRaND is shown in Figure 4. GRaND derives power from the S/C 28Vdc power bus. The instrument low voltage power supply provides +/-5V to all the digital and analog circuits and +12V to all high voltage power sources, which supply 0 to +1500V to the photomultiplier tubes and -1500V/+70V to the CZT sensors. The instrument transmits and receives data through an RS-422 interface. The instrument is controlled by a UTMC micro-controller, which manages instrument subsystems, processes commands, monitors state of health (SOH), and processes the science data. Each of the radiation sensors is read out by analog front-end electronics, which provides shaped pulses, which are digitized by analog-to-digital-converters (ADC) to determine pulse amplitude, and timing signals for analysis of coincident events. Signals from the FEE are processed by an Actel field-programmable-gate-array (FPGA). The FPGA categorizes signals from the sensors, identifying patterns that correspond to important events (for example, the fast neutron double-pulse signature). SOH data are recorded in the engineering telemetry, including high voltage values and temperatures. Commandable parameters include instrument high voltage settings, parameters used to classify coincidence events, and measurement intervals.

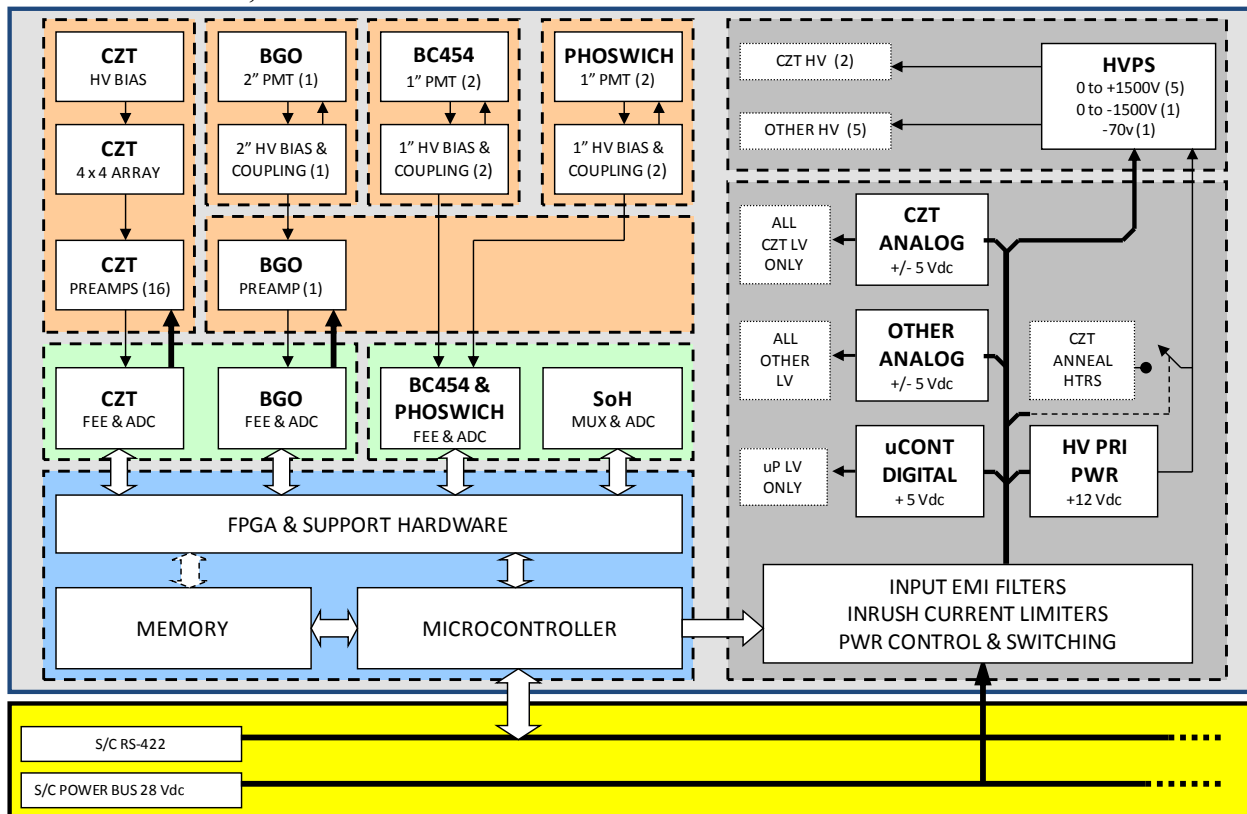


Figure 4. Instrument electronics block diagram

2.5. Measured Parameters

Each science record sent by GRaND contains counting data acquired during a collection interval, which is set by the commandable parameter TELREADOUT. The collection intervals are successive, forming a time series that can be analyzed to map elemental abundances. The records are time-tagged with the spacecraft clock (SCLK) value, which can be merged with NAIF/SPICE ephemeris data for mapping. Each science record includes scaler data, event data, and histograms. The pattern of pulses recorded by the sensors for each radiation interaction is

processed by the FPGA, which categorizes the events. The events are scaled and binned into histograms. In addition, a subset of neutron and gamma ray events are recorded in a fixed length buffer. At the end of each collection interval, the data are compressed, packetized, and transmitted. The event categories recorded by GRaND are as follows (Note that event categories 3, 5, 6, and 8 were deleted during instrument development):

Category 1 (CAT1): A single pulse from the -Z or +Z phoswich. CAT1 data are binned into a histogram (256 channels) which can be analyzed to determine the areas of peaks corresponding to the 93 keV_{ee} $^{10}\text{B}(n,\alpha)$ and the 340 keV_{ee} $^6\text{Li}(n,t)$ reactions.

Category 2 (CAT2): A prompt coincidence between the BGO and any one of the four BLP scintillators. The objective is to record thermal and epithermal neutron interactions by detecting the prompt coincidence between the deposition of 93 keV_{ee} by the $^{10}\text{B}(n, \alpha)^7\text{Li}^*$ reaction products in the BLP and full energy deposition of the associated gamma ray from $^7\text{Li}^* \rightarrow ^7\text{Li} + \gamma$, where $^7\text{Li}^*$ denotes the first excited level of ^7Li . If a coincidence is detected, the FPGA checks to see if the pulse height recorded by the BGO is within a commandable coincidence window, set to bracket the 478 keV full energy peak. If so, then the pulse recorded by the BLP is binned into a 64-channel histogram that contains the 93 keV_{ee} reaction peak. Redundantly, the FPGA also checks to see if the pulse height recorded by the BLP is within a commandable coincidence window set to bracket the 93 keV_{ee} peak. If so, then the pulse recorded by the BGO is binned in a 64-channel histogram that contains the 478 keV full energy peak. Consequently, two 64-channel spectra are recorded for each BLP. Since the +/-Z BLP scintillators are shielded by Gd and Li-glass, the areas of the 93 keV_{ee} and 478 keV peaks in the 64-channel histograms recorded by the CAT2 process for these two scintillators are sensitive to epithermal neutrons. The CAT2 signature for the side scintillators, which are unshielded, is sensitive to both thermal and epithermal neutrons.

Category 4 (CAT4): A double-pulse occurring in any one of the phoswich or BLP scintillators. To reduce after-pulsing, events for which the second events occur within 400 ns are rejected. The maximum time to the second pulse (TTSP) recorded by GRaND is 25.6 microseconds. The amplitudes of the first and second pulse and the TTSP are recorded as list mode data in a fixed length buffer. The total number of CAT4 events processed by the FPGA during the collection interval is recorded in the scaler data. The CAT4 data can be analyzed to determine the flux and energy distribution of fast neutrons.

Category 7 (Cat7): A coincidence between a single CZT sensor and the BGO scintillator. The CZT pulse height (digitized by a 12-bit ADC) and CZT-sensor-ID are recorded as event data in the gamma event buffer. The BGO pulse height is recorded as a 9 bit unsigned integer. The portion of the gamma event buffer reserved for CAT7 events is commandable. The CAT7 data can be used to discriminate gamma rays originating from the target body and the spacecraft. For example, gamma rays originating from the target body (from nadir) can undergo low angle Compton scattering in a CZT sensor prior to entering the BGO crystal, where they may deposit the rest of their energy. The energy of the gamma ray can be determined by summing the pulse heights measured by the CZT and BGO sensors. Gamma rays originating from the spacecraft are shielded from the CZT array by the BGO crystal. In addition, those originating from the spacecraft that interact with a CZT sensor must scatter through a large angle, depositing a

relatively large amount of energy in the CZT sensor before reaching the BGO crystal. Consequently, summing the energy deposited in the CZT and BGO sensors for events in which the energy deposited in the BGO sensor is greater than the energy deposited in the CZT sensor tends to reject gamma rays originating from the spacecraft.

Category 9 (CAT9): A single pulse from the BGO scintillator. The CAT9 events are recorded as a 1024 channel pulse height spectrum.

Category 10 (CAT10): A single interaction with a CZT sensor, in which one of the 16 CZT sensor records a pulse and none of the other sensors on GRaND (including BGO, BLP, etc..) are triggered. The pulse height (digitized by a 12-bit ADC) and CZT-sensor-ID are recorded as list-mode data in a fixed length buffer. The total number of CAT10 events processed by the FPGA during the collection interval is recorded in the scaler data. The CAT10 list mode data can be processed, given the known energy calibration for each of the sensors, to form a composite pulse height spectrum. During mapping, the CAT9 histogram and CAT10 composite spectrum contain full energy peaks corresponding to radioactive decay and nuclear reactions occurring within the planetary surface, which can be analyzed to determine elemental abundances.

Summary of Event Categories

CAT1	A single pulse from either the $-Z$ or $+Z$ phoswich recorded in 256-channel histograms. Sensitive to thermal and epithermal neutrons.
CAT2	Coincidence between the any of the four BLP scintillators and the BGO sensor. Pairs of 64-channel histograms are recorded for each BLP-BGO combination (e.g. $+Z$ phoswich – BGO). Sensitive to thermal and epithermal neutrons.
CAT4	Double pulse in the BLP sensors. The amplitude and ID of the BLP sensor for the first and second pulses is recorded along with the time between pulses in the neutron event buffer. Sensitive to fast neutrons.
CAT7	Coincidence between the BGO and any one of the 16 CZT sensors. The CZT pulse amplitude, sensor ID, and the BGO pulse amplitude are recorded in the gamma event buffer. Useful, for example, for pair spectroscopy.
CAT9	A single pulse from the BGO sensor binned into a 1024-channel histogram. Sensitive to gamma rays up to about 10 MeV.
CAT10	A single pulse from any one of the 16 CZT sensors. The pulse amplitude and sensor ID is recorded in the gamma event buffer along with the CAT7 data. The only distinguishing characteristic between CAT7 and CAT10 is that the BGO pulse amplitude is greater than 0 for CAT7 and 0 for CAT10. Sensitive to gamma rays up to about 3 MeV.

2.6. Operational Modes

GRaND has three operational modes:

1. STANDBY;
2. NORMAL; and
3. ANNEAL.

The instrument starts in STANDBY mode. In STANDBY mode, the radiation sensors are not operational (all commands are accepted except high voltage enable commands). Only SOH data are generated in standby mode. Data from the temperature sensors are recorded in STANDBY if the +/-5V low voltage supply is activated. From STANDBY, the instrument can be commanded to NORMAL mode for which all commands are accepted. In NORMAL mode, the instrument can be configured for science data acquisition, including enabling and setting the high voltage level for each sensor. Both SOH and science data are included in the telemetry. From STANDBY, the instrument can also be commanded to ANNEAL mode, which is designed to anneal radiation damage accrued by the CZT crystals (Prettyman et al., 2003). Only SOH data are generated in ANNEAL mode.

2.7. Operational Considerations

Science data will be acquired by GRaND during cruise, Mars Flyby, and mapping of Vesta and Ceres. In order to acquire science data, GRaND must be in NORMAL mode with high voltages turned on and adjusted to nominal settings. Large gaps in the data are expected during cruise, when the instrument is off. For science mapping, only data acquired when the instrument bore-sight is pointed to within 5-deg of body center are used. In addition, solar energetic particle events are reported separately from data acquired during quiet conditions. Contamination from other instruments and spacecraft subsystems appears to be negligible, but will be evaluated throughout the mission.

2.8. Ground Calibration

Calibration data for GRaND were acquired during assembly, test, and launch operations (ATLO), before and after delivery of the instrument for integration with the spacecraft. Prior to delivery, the instrument was characterized at a calibration facility at Los Alamos National Laboratory and on the bench using neutron and gamma ray sources. The main goals of the calibration exercise were to verify the functionality of each of the sensors; determine the energy calibration for each sensor and event category; determine the absolute calibration (relationship between flux and counting rate) for each sensor and event category as a function of incident energy and direction. Data acquired during comprehensive performance tests (CPTs) following integration of GRaND with the spacecraft provide supplemental information needed to confirm the energy calibration.

2.9. Inflight Calibration

Data acquired by GRaND during cruise and Mars Gravity Assist are useful for instrument calibration as well as characterization of the energetic particle background during periods of low solar activity, which are representative of data used for mapping (solar energetic particle events are excluded). The close fly by of Mars by Dawn provided a valuable data set that can be compared directly to data acquired by the Mars Odyssey Gamma Ray and Neutron Spectrometer subsystems, enabling cross-calibration of GRaND with Mars Odyssey (see Prettyman et al., 2011 for details). Cruise data acquired before and after encounters with Ceres and Vesta will be used to assess the buildup of induced radioactivity with GRaND, if detectable.

3. Data Set Overview

The structure and content of the Level 1A and 1B data sets are described in detail in their respective catalog files. Data processing steps as well as a thorough presentation of the data products are described in Prettyman et al. (2011) and in Data Processing Documents for the EDR and each RDR data set.

3.1 Data Sets

A summary of data files included in the Level 1A and 1B archives are provided in the following table:

<i>Table 6: Standard Data Products</i>		
Data Set ID	Standard Data Products	Standard Product Description
DAWN-X-GRAND-2-EDR-CRUISE-COUNTS-V1.0 or DAWN-M-GRAND-2-EDR-MARS-COUNTS-V1.0	AUX_RDG	Instrument readings file: a time-ordered list of temperature and voltage readings averaged over each state-of-health accumulation interval (TELSOH), converted to physical units.
	AUX_SCI-SCL	Science scaler data: a time-ordered list of the scaler data recorded in the science telemetry. The accumulation interval for the scalers is TELREADOUT.
	AUX_SOH-SCL	State of health scaler data: a time-ordered list of the scaler data recorded in the state-of-health telemetry. The accumulation time for the scaler data is TELSOH. Note that the scalers are reset at the end of each science accumulation interval (TELREADOUT). If the state-of-health accumulation interval is selected to sub-sample the science interval, then the state-of-health scalers can be used to detect and correct for rollover of the science scalers, such as the dead time counter.
	AUX_STA	Instrument state file: the instrument settings, including the mode, power supply states, high voltage settings, the data accumulation interval, and coincidence windows. The first record of the state-of-health file is recorded in the state file, stamped with SCET UTC. Thereafter, rows are added only when the instrument settings change.
	GAMMA_BGO	time-ordered list of pulse height spectra (1024 channels with units of uncorrected counts/channel) acquired by the BGO sensor
	GAMMA_EMG	gamma ray event data as a binary time series
	NEUTRON_BG02_MY	time-ordered lists of the 64-channel CAT2 BGO pulse height spectra for coincidences with the BGO and the BLP -Y sensor
	NEUTRON_BG02_PY	time-ordered lists of the 64-channel CAT2 BGO pulse height spectra for coincidences with the BGO and the BLP +Y sensor
	NEUTRON_BG02_MZ	time-ordered lists of the 64-channel CAT2 BGO pulse height spectra for coincidences with the BGO and the BLP -Z sensor
	NEUTRON_BG02_PZ	time-ordered lists of the 64-channel CAT2 BGO pulse height spectra for coincidences with the BGO and the BLP +Z sensor
	NEUTRON_BLP2_MY	time-ordered lists of the 64-channel CAT2 BLP pulse height spectra for coincidences with the BGO and the BLP -Y sensors

	NEUTRON_BLP2_PY	time-ordered lists of the 64-channel CAT2 BLP pulse height spectra for coincidences with the BGO and the BLP +Y sensor
	NEUTRON_BLP2_MZ	time-ordered lists of the 64-channel CAT2 BLP pulse height spectra for coincidences with the BGO and the BLP -Z sensor
	NEUTRON_BLP2_PZ	time-ordered lists of the 64-channel CAT2 BLP pulse height spectra for coincidences with the BGO and the BLP +Z sensor
	NEUTRON_EMN	the neutron event data as a binary time series.
	NEUTRON_PHOS_MZ	time-ordered lists of the 256-channel CAT1 pulse height spectra for the -Z phoswiches. Note that the naming convention for the top, bottom, and side scintillators is determined by the instrument coordinate system.
	NEUTRON_PHOS_PZ	time-ordered lists of the 256-channel CAT1 pulse height spectra for the +Z phoswiches. Note that the naming convention for the top, bottom, and side scintillators is determined by the instrument coordinate system.
DAWN-M-GRAND-2-RDR-MARS-COUNTS-V1.0	-TSI-EPM*	time series of ephemeris and pointing data, including the total livetime, the distance and direction to body center, the velocity of the spacecraft rotated into the reference frame of the instrument, the subsatellite position and altitude, and the fractional solid angle subtended by the body at the spacecraft. In addition, the average counting rate for the 'coincidence of three or more sensors' scaler (SCALER_SCI[15]) is provided as an indicator of the interaction rate of galactic cosmic rays.
	-TSI-NCR	time series of neutron counting rates determined from CAT1, CAT2, and CAT4 pulse height spectra. Counting rates sensitive to neutrons in the thermal, epithermal, and fast energy ranges are provided. Propogated uncertainties (1-sigma) are provided.
	-TSI-GCR	time series of net areas for selected full energy interaction peaks from the pulse height spectrum acquired by the BGO sensor. Propogated uncertainties (1-sigma) are provided.
	-TSI-BGO	time series of BGO 1024-channel pulse height spectra that have been adjusted so that the offset is 0 keV with a slope of 8.9 keV/channel. Note that the method for determining the uncertainty in the counting rates for each channel is provided in the format file.
DAWN-A-GRAND-2-RDR-VESTA-COUNTS-V1.0	-EPG	time series of spacecraft ephemeris, pointing, and measurement geometry (EPG) for each and every science data record acquired by GRaND during Vesta encounter. The time series includes live time, instrument configuration, and the triples counting rate, used as a proxy for the galactic cosmic ray flux. The spacecraft clock (SCLK) is used as a serial number to cross reference EPG information with science data in EPG and RDR files.
	-PHS-BGOC	time series of corrected and energy calibrated BGO pulse height spectra for suitable for use in geochemical studies (elemental ID and quantification).

*TSI refers to the type of time series: central moving average (CMA) or decimated time series (DTS). As described in Prettyman et al. (2011) and Data Processing Document, the Level1b data

are represented as a time series in which counting rates and spectra are averaged over a time-window, consisting of an odd number of science accumulation intervals, selected by the evaluator. Two types of time series are possible: a CMA, in which the averaging window is centered on each point in the original time series, and a result is reported for each science accumulation interval; and a DTS, in which the averaging window is shifted forward in time by its width, resulting a data set that has fewer points than the original time series. The CMA is intended for mapping, for example, in cases where full sampling of rapidly changing counting rates and solid angles is needed. The DTS is useful for averaging over long periods of time, for example, during cruise, when counting rates are not changing rapidly. By averaging over long time intervals, the DTS can be used to produce high precision gamma ray spectra needed for accurate peak identification, analysis, and calibration.

3.1.1 Level 2 and Higher Order Products

Level 2 maps of Vesta's composition were developed by the Dawn Geochemistry team. These were submitted to the PDS and have been certified. Maps include the abundance of H, Fe, thermal, epithermal, fast, and high-energy-gamma-ray counting rates.

3.2 Level-0 Data Flow

The DSC captures all of the payload instrument telemetry frames as binary files after the data have been cleaned up in the post-pass processing (reconstructed level-0 data). Post-pass processing is completed with 8 hours of each pass and typically is able to fix minor form of data corruption (partial packet reconstruction, dropped time tags, etc.). These files are inventoried within the Dawn Science Database (DSDb) and made available to the teams for download at any time. The DSC prepares the documentation and metadata required in order to submit these products to the PDS to be saved (rather than archived). The PDS documentation threshold for saved data sets is substantially lower than for archived products. The raw decoded frames are not considered to be useful for the general science community but the bits will be preserved in their rawest form. The DSC will submit the telemetry frames to the PDS Small Bodies Node (SBN) within a week of the end of each science phase. All level-0 data products are created with PDS "minimum" labels. Each level-0 data file contains the CCSDS packets for a single APID.

The Doppler Tracking data are used by the NAV and Gravity Science teams and do not flow into the TDS. These data flow from the DSN into the OSCAR-X system where they are accessible to the gravity team at JPL. Since these data do not flow directly into the DSC, the DSC staff will manually retrieve them from OSCAR-X and load them into the DSDb. Gravity Science investigators that are not at JPL will use the DSDb to retrieve the level-0 data for their analysis. This process is described in the operational interface agreement (OIA-DSC-409) between the Gravity Science Team and the DSC. Unlike the decoded frames, the level-0 Doppler Tracking data are archived with the PDS. DSC prepares these data for archive and submits them to the PDS SBN at the same time as the level-1A data products from the payload instruments.

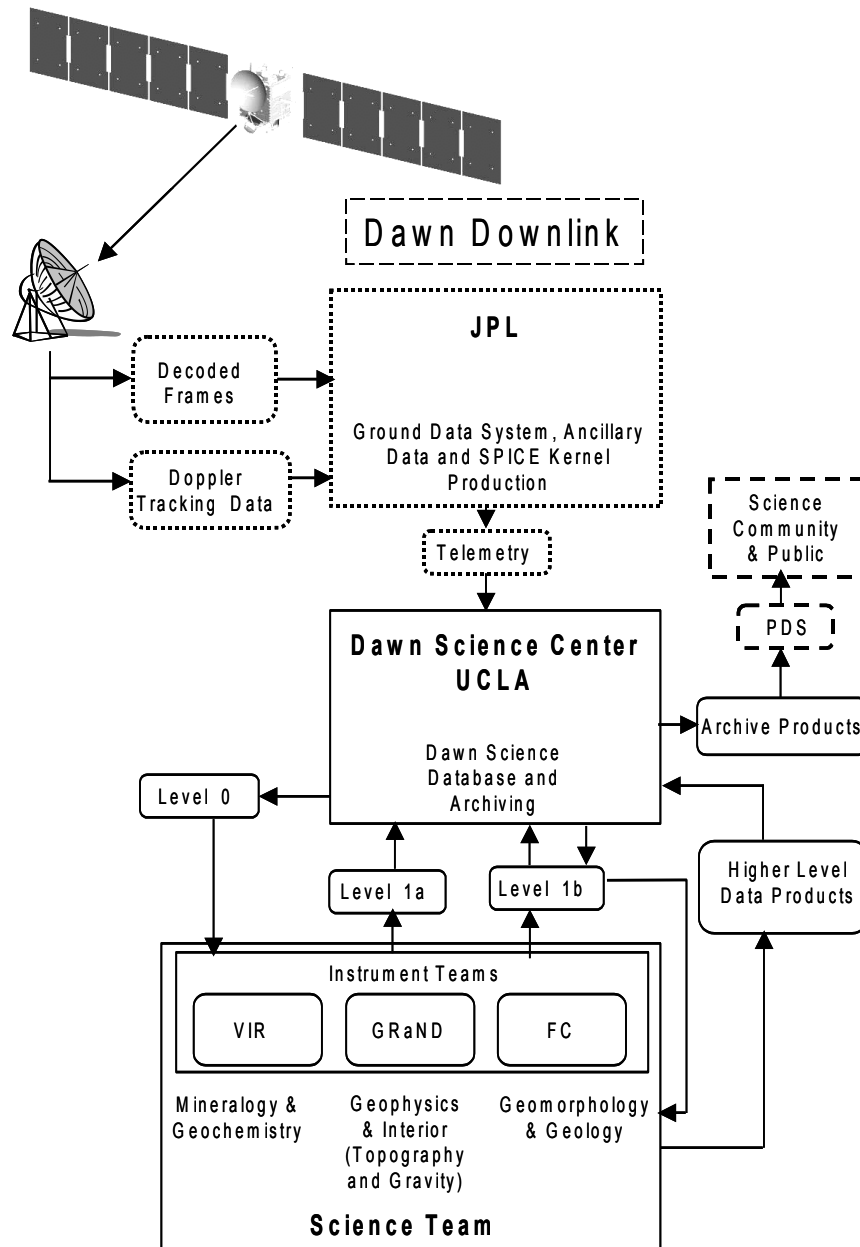


Figure 5 Dawn Science Data Flow. SPAA elements and products are outlined with solid black lines, MOS components with dotted lines, and PDS components with dashed lines.

3.3 Data Processing and Production Pipeline

The GRaND Level 1 data processing steps are described in detail in Prettyman et al. (2011) and the Data Processing Document included in this archive.

3.3.1 EDR (Level 1A) Data Production Pipeline

The GRaND EDR are a time-ordered collection of gamma ray and neutron counting data and histograms acquired by GRaND during different phases of the Dawn Mission, including assembly-test-and-launch-operations (ATLO), cruise, Mars Gravity Assist (MGA), and science mapping at 4-Vesta and 1-Ceres. The dataset also includes state-of-health data (instrument

settings, temperature and voltage readings) needed for scientific analysis of the neutron and gamma ray data. The EDR is an intermediate data product (Level 1A) that is derived from Raw Data Records (Level 0) using reversible operations. The Level 1A data are the lowest level of GRaND data archived in the PDS, from which all higher order data sets are derived. To support timely delivery of higher order products, the Level 1A data are processed using an automated pipeline, which operates on Level 0 data when it is queried by the DSC.

The data set consists primarily of ASCII tables, divided into three functional categories: auxiliary information (AUX); gamma ray spectra and event data (GAMMA); and neutron spectra and event data (NEUTRON). Gamma ray and neutron event data are recorded in binary files. Some of the data in the ASCII files, which are human-readable, are repeated in the binary files to aid in the verification of user-written routines.

The Level 1A data are automatically processed using a pipeline, which operates on files queried by the DSC over selected time intervals. Each DSC query separates the GRaND data into files containing state-of-health and science data records, in the order in which they were received on the ground and with corrupted packets removed. The state-of-health data are further divided into real time telemetry data and playback data. The science data are stored in a single raw data file.

The pipeline merges the state-of-health data from the playback and realtime files to produce a time-ordered-list of records. Selected data are extracted to produce the Level 1A AUX files. Internal temperature readings are converted from data numbers (DN) to engineering units using a linear function determined during ground calibration: T (degrees C) = $0.4354 \text{ DN} - 32.267$. The high voltage readings for the high voltage power supplies are reported in engineering units using the conversion V (Volts) = $1500 \text{ DN}/255$. The CZT differential bias voltage is converted using V (Volts) = 0.405 DN .

The science data are decompressed, decoded, separated by functionality and written as time-ordered ASCII tables and binary time series. The raw histograms (CAT1, CAT2, and CAT9) are represented as 8 bit numbers which are decompressed and reported as 16 bit, unsigned integers.

3.3.2 RDR (Level 1B) Data Production Pipeline

The GRaND Reduced Data Records (RDR) are a time-ordered collection of corrected gamma ray and neutron counting data and calibrated pulse height spectra acquired by GRaND during Mars Gravity Assist (MGA). Similar products will be developed for science mapping at 4-Vesta and 1-Ceres and for data acquired during cruise. The RDR is a calibrated data product (Level 1B) that is derived from Experimental Data Records (EDR, Level 1A). The objective of the RDR is to provide counting rates and ancillary pointing and ephemeris data needed for mapping. The ancillary data includes the sub-satellite point, the distance and direction to body center, and the spacecraft velocity vector at Mars, which is needed to account for the motion of low energy (thermal and epithermal) neutrons relative to the spacecraft. In the current version of the data set, counting rates and fluxes corrected for altitude and spacecraft motion, which require knowledge of the instrument response, are not provided; however, future versions of the RDR, especially for Vesta and Ceres mapping will include counting rates corrected for solid angle and pointing as well as incident gamma ray and neutron fluxes.

Processing steps for the RDR data set generally include the following (refer to the specific data set catalog and data reduction documents associated with each data volume for details):

- Determination of the mid-point time of each science accumulation interval and the live time, accounting for roll-over of the dead-time counter;
- Construction of pulse height spectra from the gamma ray and neutron event data;
- Correction of pulse height spectra for ADC differential nonlinearity;
- Calibration and gain/offset correction of pulse height spectra to provide a consistent energy scale for the analysis of spectral features (e.g. peak identification and fitting);
- Analysis of spectra to determine the net areas (counting rates) of selected spectral features, including:
 - o the $^{10}\text{B}(n,\alpha)$ peak area from the Category 1 (CAT1) spectrum for the +Z phoswich, which is sensitive to epithermal neutrons from the target body;
 - o the $^6\text{Li}(n,t)$ peak area from the +Z CAT1 phoswich, which is sensitive primarily to thermal neutrons from the target body;
 - o the net areas of the 478 keV gamma ray full energy peaks for each of the four CAT2 BGO pulse height spectra, resulting from coincidences between 93 keV deposited in the four boron-loaded-plastic (BLP) scintillators by the $^{10}\text{B}(n,\alpha)^7\text{Li}^*$ reaction and the associated gamma ray ($^7\text{Li}^* \rightarrow ^7\text{Li} + 478 \text{ keV}$):
 - Because the +Z and -Z BLP scintillators are shielded by Gd and lithiated glass, their CAT2 counting rates are sensitive to epithermal neutrons;
 - Because the side +Y and -Y scintillators are not shielded, their counting rates are sensitive to both thermal and epithermal neutrons.
 - o the fast neutron counting rates for each of the boron-loaded plastic scintillators;
 - o net counting rates for selected gamma rays.

The data set consists of ASCII tables, divided by functionality into four categories: ephemeris, pointing, and geometry data; neutron counting rates (NCR); gamma ray counting rates (GCR), and the BGO pulse height spectrum (BGO). The fast neutron flux spectrum (with units of neutrons/cm²/s/MeV), which can be unfolded from the fast neutron pulse height spectrum given the response function, and CZT composite spectrum will be included in future releases.

3.3.3 Level 2 and Higher Data Production Pipeline

Higher order data products envisioned for GRaND are described by Prettyman et al. (2011). Level 2 products from Vesta encounter were developed by the Geochemistry team and archived by the PDS. The Level 2 products are based on studies published in the scientific literature (Prettyman et al., 2012; 2013; Lawrence et al., 2013; Peplowski et al., 2013, Yamashita et al., 2013).

3.4 Data Flow

The Instrument Teams retrieve the reconstructed Level-0 data from the DSDb and use it to produce the Level-1A (raw, reformatted) data sets. The raw telemetry data are decompressed, decoded, and formatted into scientifically useful data structures. These products, along with

their required PDS documentation, form the level-1A data sets (EDRs). The Instrument Teams extract the reconstructed spacecraft ephemeris and pointing data (SPICE kernels) from the DSDb and use these data to compute the various geometry data that are included in the PDS labels associated with each data product. The Instrument Teams are required submit the PDS labeled EDRs to the DSDb within 7 days after the reconstructed data are made available to the teams (see OIA-DSC-406, OIA-DSC-407, OIA-DSC-408). These data are then available to the rest of the Science Team.

The DSC prepares the level-1A data for archive with the PDS SBN. If the spacecraft ephemeris or pointing reconstruction is improved after the data products are submitted to the DSDb, the DSC will update the geometry information in the labels in the DSDb prior to generating the archive. The DSC extracts the data and documentation files associated with each instrument data set from the DSDb and organizes them according to PDS volume organization standards (JPL-D-7669). Each level-1A data set will be archived on a separate PDS volume set. The DSC will produce and deliver the volumes to the PDS SBN in accordance with the SBN standard data delivery practices at the time of each delivery. Presently, the PDS SBN accepts volumes delivered electronically, on CDROM, and on DVD-R. EDR data volumes are to be delivered to the PDS SBN within 90 days of the end of each science phase (Approach, Survey, HAMO, LAMO, etc.). The DSC is responsible for following the archive submissions through the PDS peer review process until the data are finally accepted into the PDS archive. The Instrument Teams will support the DSC during this PDS process by providing any additional documentation that is requested by the PDS peer review panel.

Additional data processing is performed by the instrument teams to produce calibrated level 1B (RDR) data products (radiometrically corrected images and spectra and fluxes from the GRaND instrument). The Instrument Teams use the level-1A (EDR) data sets they have provided to the DSDb as the input to the data processing pipeline that produces the level-1B (RDR) data set. The RDR data products are submitted to the DSDb within 14 days of the receipt of the corrected telemetry by ground data system. If during the course of the mission an improved calibration becomes available, the Instrument Teams may choose to update the data in the DSDb using the latest version of the calibration. The Instrument Teams are not obligated to provide updated RDR data products and any such resubmission would be negotiated with the Science Team. The DSDb system supports the resubmission of data sets.

The DSC also prepares the level-1B data for archive with the PDS SBN. The DSC extracts the latest data and documentation files associated with each instrument data set from the DSDb at the time of submission and organizes them according to PDS volume organization standards (JPL-D-7669). Each level-1B data set will be archived on a separate PDS volume set. The DSC will produce and deliver the volumes to the PDS SBN in accordance with the SBN standard data delivery practices at the time of each delivery. RDR data volumes are to be delivered to the PDS SBN within 6 months after asteroid departure. The DSC and Instrument Teams will support the PDS peer review process of the RDR data sets in the same manner as the EDR data sets.

3.5 Data Validation

3.5.1 Instrument Team Validation

The instrument team carries out a scientific analysis of the data and a technical analysis of the instrument performance to identify any issues that might affect the quality of the science data. The instrument team continuously improves the quality and content of the archived data to address mission science objectives. The team monitors telemetry and optimizes instrument settings to provide the highest quality scientific data.

3.5.2 Science Team Validation

A complete scientific validation of the data is taking place during the proprietary period as the GRaND and Geochemistry teams perform scientific analyses of the data and examines in detail the content of each data product.

3.6 Archive Schedule

<i>Table 7: GRaND Data Product Archive Schedule</i>					
Instrument	Data Product	Provider	Mars	Vesta	Ceres
GRaND	Level 0	DSC	EDA	EDA	EOO
	EDR - Level 1A	Inst	EDA + 3 m	EDA + 3 m	EDA + 1 m
	RDR - Level 1B	Inst	D + 6 m	D + 5 m	EOO + 3 m
	Derived Products	Inst	D + 12 m	D + 12 m	EOO + 5 m

m - months

EDA - End of data acquisition

EOO - End of operations

D - Asteroid departure

4. Archive Volumes

4.1 Volume Creation

The DSC collects the data files and labels provided by the GRaND team onto archive volumes. Each archive volume contains all GRaND data available for the time interval covered by the archive volume. Once all of the data files, labels, and ancillary data files are organized onto an archive volume, the DSC adds all of the PDS required files (AAREADME, INDEX, ERRATA, etc.) and produces the physical media.

4.2 Volume Format

This section describes the format of GRaND standard product archive volumes. Data that comprise the GRaND standard product archives will be formatted in accordance with Planetary Data System specifications [Planetary Science Data Dictionary, 2002; Planetary Data System Archive Preparation Guide, 2006; PDS Standards Reference, 2007].

Disk formats for the archive volumes will conform to the PDS standard for the applicable media. At present, the plan is to archive GRaND data on DVD-R media. The PDS standard for DVD-R media disk format is ISO-UDF Bridge.

4.3 Volume Labeling and Identification

Data are organized so that one GRaND data set will coincide with a single logical volume.

<i>Table 8: GRaND Data Sets and corresponding Volume ID's</i>	
Data Set Name	Volume ID
DAWN-X-GRAND-2-EDR-CRUISE-COUNTS-V1.0	DWNXGRD_1A
DAWN-M-GRAND-2-EDR-MARS-COUNTS-V1.0	DWNMGRD_1A
DAWN-A-GRAND-2-EDR-VESTA-COUNTS-V1.0	DWNVGRD_1A
DAWN-A-GRAND-2-EDR-CERES-COUNTS-V1.0	DWNCGRD_1A
DAWN-M-GRAND-3-RDR-MARS-COUNTS-V1.0	DWNMGRD_1B
DAWN-M-GRAND-3-RDR-VESTA-COUNTS-V1.0	DWNVGRD_1B
DAWN-M-GRAND-3-RDR-CERES-COUNTS-V1.0	DWNCGRD_1B

4.4 PDS Peer Review

The peer review panel consists of members of the instrument team, the DSC, and members of the PDS Small Bodies and Engineering Nodes, and at least two outside scientists actively working in the field of asteroid remote sensing science. The DSC is responsible for generating and delivering PDS compliant volumes to the SBN. The PDS personnel are responsible for verifying that the volume(s) are fully compliant with PDS standards. The instrument team and outside science reviewers are responsible for verifying the content of the data set, the completeness of the documentation, and the usability of the data in its archive format. The peer review process is a two part process. First, the panel reviews this document and verifies that a volume produced to

this specification will be useful. Next, the panel reviews a specimen volume to verify that the volume meets this specification and is indeed acceptable.

If the peer review decides that there are issues (liens) to be solved, these liens are first discussed and whenever possible clarified with the instrument team. If the liens are accepted by the team the necessary modifications are performed and the datasets are redelivered.

5. Archive Volume Contents

This section describes the contents of the GRaND standard product archive collection volumes, including the file names, file contents, file types, and organizations responsible for providing the files. The complete directory structure is shown in Appendix A. All the ancillary files described herein appear on each GRaND archive volume, except where noted.

5.1 Root Directory Contents

The following files are contained in the root directory, and are produced by the DSC at UCLA. With the exception of the hypertext file and its label, all of these files are required by the PDS Archive Volume organization standards.

Table 9: Root Directory Contents

File Name	File Contents	File Provided By
AAREADME.TXT	This file completely describes the Volume organization and contents (PDS label attached).	DSC
AAREADME.HTM	Hypertext version of AAREADME.TXT (top level of HTML interface to the Archive Volume).	DSC
AAREADME.LBL	A PDS detached label that describes AAREADME.HTM.	DSC
ERRATA.TXT	A cumulative listing of comments and updates concerning all GRaND Standard Data Products on all GRaND Volumes in the Volume set published to date.	DSC
VOLDESC.CAT	A description of the contents of this Volume in a PDS format readable by both humans and computers.	DSC

5.2 INDEX Directory Contents

The following files are contained in the INDEX directory and are produced by the DSC. The INDEX.TAB file contains a listing of all data products on the archive volume. In addition, there is a cumulative index file (CUMINDEX.TAB) file that lists all data products in the GRaND archive volume set to date. The index and index information (INDXINFO.TXT) files are required by the PDS volume standards. The index tables include both required and optional columns. The cumulative index file is also a PDS requirement; however, this file is not reproduced on each data volume. An online and web accessible cumulative index file is maintained at the DSC while archive volumes are being produced. Only the last archive volume in the volume series will contain a cumulative index file.

Table 10: INDEX Directory Contents

File Name	File Contents	File Provided By
CUMINDEX.TAB	A table listing all Data Products in the GRaND Archive volume	DSC
CUMINDEX.LBL	A PDS detached label that describes CUMINDEX.TAB	DSC
INDXINFO.TXT	A description of the contents of this directory	DSC
INDEX.TAB	A table listing all GRaND Data Products on this Volume	DSC

Table 10: INDEX Directory Contents

File Name	File Contents	File Provided By
INDEX.LBL	A PDS detached label that describes INDEX.TAB	DSC

5.3 CATALOG Directory Contents

The completed PDS catalog files in the CATALOG directory provide a top-level understanding of the Dawn/GRaND mission and its data products. The information necessary to create the files is provided by the GRaND team and formatted into standard template formats by the DSC. The files in this directory are coordinated with the data engineers at both the DSC and the PDS SBN.

Table 11: CATALOG Directory Contents

File Name	File Contents	File Provided By
CATINFO.TXT	A description of the contents of this directory	DSC
grand_XXX_YYY_ds.cat	PDS Data Set description file. XXX is the NASA data processing level of the data (e.g. "11a", "11b", etc.), and YYY is the mission phase or target (e.g. "cruise", "vesta", etc.).	GRaND Team
dawninsthost.cat	PDS instrument host (spacecraft) catalog description of the Dawn spacecraft	DSC
grand_instrument.cat	PDS instrument catalog description of the GRaND instrument	GRaND Team
dawnmission.cat	PDS mission catalog description of the Dawn mission	DSC
grand_person.cat	PDS personnel catalog description of GRaND Team members and other persons involved with generation of GRaND Data Products	GRaND Team
grand_ref.cat	GRaND -related references mentioned in other *.CAT files	GRaND Team

5.4 CALIB Directory Contents

Table 12: CALIB Directory Contents

File Name	File Contents	File Provided By
CALINFO.TXT	A description of the contents of this directory	GRaND Team

5.5 DATA (Standard Products) Directory Contents and Naming Conventions

The DATA directory contains the actual Data Products produced by the GRaND team.

5.5.1 Required Files

Every file in the DATA path of an Archive Volume is described by a PDS label. Data files have detached PDS labels. Text documentation files have detached labels. Detached PDS label files have the same root name as the file they describe but have the suffix ".LBL".

5.5.2 DATA Directory Contents

The data directories are organized in the same way.

<i>Table 13: DATA Directory Contents</i>		
File Name	File Contents	File(s) Provided By
DATAINFO.TXT	A description of the contents of this directory	DSC
(see section 5.5.3)	Data files	GRaND Team

5.5.3 File Naming Conventions

All data product files throughout different GRaND data sets will be named using the same file naming convention. The basic naming convention is as follows:

GRD-L1X-YIMID1-Y2M2D2_YCMCDC-TTTTTT.EXT

where:

- X* ‘A’ or ‘B’ to indicate EDR or RDR, respectively.
- YIMID1* SCET UTC date for first science data record
- Y2M2D2* SCET UTC date for last science data record
- YCMCDC* data product creation date
- TTTTTT* file type. For the EDR, possible values include the following:
 - STA = instrument state file (auxiliary)
 - RDG = instrument readings file (auxiliary)
 - SOH-SCL = state of health scaler data (auxiliary)
 - SCI-SCL = science scaler data (auxiliary)
 - BGO = time-ordered pulse height spectra acquired by BGO
 - BGOC = time-series of gain-corrected BGO gamma ray spectra
 - EMG = gamma ray event data
 - EMN = neutron event data
 - EPG = time-series of ephemeris, pointing & geometry data
 - PHOS_MZ = time-ordered CAT1 pulse height spectra (-Z phoswiches)
 - PHOS_PZ = time-ordered CAT1 pulse height spectra (+Z phoswiches)
 - BGO2_MY = time-ordered CAT2 BGO pulse height spectra for coincidences with BGO and BLP -Y sensor

BGO2_PY = time-ordered CAT2 BGO pulse height spectra for coincidences with BGO and BLP +Y sensor

BGO2_MZ = time-ordered CAT2 BGO pulse height spectra for coincidences with BGO and BLP -Z sensor

BGO2_PZ = time-ordered CAT2 BGO pulse height spectra for coincidences with BGO and BLP +Z sensor

BLP2_MY = time-ordered CAT2 BLP pulse height spectra for coincidences with BGO and BLP -Y sensor

BLP2_PY = time-ordered CAT2 BLP pulse height spectra for coincidences with BGO and BLP +Y sensor

BLP2_MZ = time-ordered CAT2 BLP pulse height spectra for coincidences with BGO and BLP -Z sensor

BLP2_PZ = time-ordered CAT2 BLP pulse height spectra for coincidences with BGO and BLP +Z sensor

EXT

file extension: TAB for ASCII files, DAT for binary files

6. Archive Volume Contents

6.1 EDR Data Product Format Description

The EDR data are derived from Level 0 raw data queried by the DSC over irregular time periods, generally determined by the pattern of downlinks from the spacecraft. The DSC divides the Level 0 data into separate files containing state of health and science data packets. The Level 1A pipeline operates on these files to produce the Level 1A archive. The directory structure for the Level 1A data is given by

GRD-L1A-Y1M1D1-Y2M2D2_YCMCDC	(top level directory)
LEVEL1A_AUX	(directory containing auxiliary data)
LEVEL1A_GAMMA	(directory containing gamma ray counting data)
LEVEL1A_NEUTRON	(directory containing neutron counting data)

The top level directory name contains the SCET UTC dates for the first and last science data records (Y1M1D1 and Y2M2D2, respectively), and the creation date (YCMCDC) for the archive. For example, for GRD-L1A-090217-090218_090517, the first science data record was acquired on 17-Feb-2009. The last science data record was acquired on 18-Feb-2009. The archive was created by the pipeline on 17-May-2009.

The LEVEL1A_AUX directory contains the following files derived from the Level 0 state-of-health and science data:

- GRD-L1A-Y1M1D1-Y2M2D2_YCMCDC-STA.TAB - Instrument state file. The instrument state file contains the instrument settings, including the mode, power supply states, high voltage settings, the data accumulation interval, and coincidence windows. The first record of the state-of-health file is recorded in the state file, stamped with SCET UTC. Thereafter, rows are added only when the instrument settings change.
- GRD-L1A-Y1M1D1-Y2M2D2_YCMCDC-RDG.TAB - Instrument readings file. This file contains a time-ordered list of temperature and voltage readings averaged over each state-of-health accumulation interval (TEL SOH), converted to physical units.
- GRD-L1A-Y1M1D1-Y2M2D2_YCMCDC-SOH-SCL.TAB - State of health scaler data. This file contains a time-ordered list of the scaler data recorded in the state-of-health telemetry. The accumulation time for the scaler data is TEL SOH. Note that the scalers are reset at the end of each science accumulation interval (TEL READOUT). If the state-of-health accumulation interval is selected to subsample the science interval, then the state-of-health scalers can be used to detect and correct for rollover of the science scalers, such as the dead time counter.
- GRD-L1A-Y1M1D1-Y2M2D2_YCMCDC-SCI-SCL.TAB - Science scaler data. This file contains a time-ordered list of the scaler data recorded in the science telemetry. The accumulation interval for the scalers is TEL READOUT.

For each science and state of health record, values for 23 scalers are recorded in the –SCI-SCL.TAB and –SOH-SCL.TAB files, respectively.

The scalers provide the following information:

Index	Name	Description
0	D_0	Dead time counts
1	O_{BGO}	BGO overload events
2	O_{CZT}	CZT overload events
3	O_{+Z}	+Z phoswich overload events
4	O_{-Y}	-Y BLP overload events
5	O_{+Y}	+Y BLP overload events
6	O_{-Z}	-Z phoswich overload events
7	C_{+Z}	+Z phoswich CAT4 events
8	C_{-Y}	-Y BLP CAT4 events
9	C_{+Y}	+Y BLP CAT4 events
10	C_{-Z}	-Z phoswich CAT4 events
11	C_{ESI}	Early second interaction events
12	C_{MC}	Multiple-crystal CZT events
13	C_{I0}	Valid CZT events (CAT10)
14	C_7	Coincidence BGO and CZT events (CAT7)
15	C_{MS}	Coincidence of three or more sensor elements
16	T	Total events processed by GRaND
17	N_{I0}	Number of single CZT events (CAT10) in the gamma ray event buffer
18	N_7	Number of BGO-CZT coincidence events (CAT7) in the gamma ray event buffer
19	N_{NE}	Number of events (CAT4) in the neutron event buffer
20	M_G	Total number of events allowed in the gamma ray event buffer
21	M_{I0}	Number of single CZT events (CAT10) allowed in the gamma ray event buffer
22	M_{NE}	Number of events allowed in the neutron event buffer

Note that indices 0 through 19 are for 16-bit counters, which are reset at the end of every science accumulation interval specified by TELREADOUT. If the state-of-health accumulation interval is adjusted to subsample the science accumulation interval (for example, TELREADOUT = n * TELSOH, where n is a whole number), then the scalers will monotonically increase during each

acquisition interval, unless overflow occurs. A rollover counter is not provided; however, for situations in which the counting rate is high or the accumulation intervals are large, the number of rollovers for individual scalers can be determined from the SOH scaler data if TELSOH is set to subsample the science accumulation interval (Prettyman et al., 2011). In situations where the counting rate is changing, abrupt changes in the scaler values can also indicate that rollover has occurred. Rollover is treated in the production of the Level1B RDR data.

Indices 20 through 21 are maximum values for the number of events that can be recorded in the event buffers. The number of gamma ray and neutron events is commandable and can be adjusted. The total number of gamma ray and neutron events must be less than 6677.

The LEVEL1A_GAMMA directory contains the following science data files:

- GRD-L1A-Y1M1D1-Y2M2D2_YCMCDC-BGO.TAB This file contains a time-ordered list of pulse height spectra (1024 channels with units of uncorrected counts/channel) acquired by the BGO sensor.
- GRD-L1A-Y1M1D1-Y2M2D2_YCMCDC-EMG.DAT This file contains gamma ray event data as a binary time series.

The LEVEL1A_NEUTRON directory contains the following science data files:

- GRD-L1A-Y1M1D1-Y2M2D2_YCMCDC-PHOS_MZ.TAB
- GRD-L1A-Y1M1D1-Y2M2D2_YCMCDC-PHOS_PZ.TAB
 - These files contain time ordered lists of the 256-channel CAT1 pulse height spectra for the +Z and -Z phoswiches. Note that the naming convention for the top, bottom, and side scintillators is determined by the instrument coordinate system.
- GRD-L1A-Y1M1D1-Y2M2D2_YCMCDC-BGO2_MZ.TAB
- GRD-L1A-Y1M1D1-Y2M2D2_YCMCDC-BGO2_PZ.TAB
- GRD-L1A-Y1M1D1-Y2M2D2_YCMCDC-BGO2_MY.TAB
- GRD-L1A-Y1M1D1-Y2M2D2_YCMCDC-BGO2_PY.TAB
 - These files contain time ordered lists of the 64-channel CAT2 BGO pulse height spectra for coincidences with the BGO and the four BLP sensors.
- GRD-L1A-Y1M1D1-Y2M2D2_YCMCDC-BLP2_MZ.TAB
- GRD-L1A-Y1M1D1-Y2M2D2_YCMCDC-BLP2_PZ.TAB
- GRD-L1A-Y1M1D1-Y2M2D2_YCMCDC-BLP2_MY.TAB
- GRD-L1A-Y1M1D1-Y2M2D2_YCMCDC-BLP2_PY.TAB
 - These files contain time ordered lists of the 64-channel CAT2 BLP pulse height spectra for coincidences with the BGO and the four BLP sensors.
- GRD-L1A-Y1M1D1-Y2M2D2_YCMCDC-EMN.DAT
 - This file contains the neutron event data as a binary time series.

6.2 Example state (.STA) file

The instrument state file provides a complete list of the instrument settings from the SOH telemetry for data within a selected Level1A directory. As such, the state file is crucial for understanding instrument activities and identifying periods of time during which science data were acquired. For example, consider the state file for the Mars Gravity Assist directory, GRD-L1A-090217-090218_100930, which corresponds to the 09051_dawn\ entry in Table 4 of the Data Processing Document and MVC₀ in Table 8 of Prettyman et al. (2011). In the subdirectory LEVEL1A_AUX, look at the file named GRD-L1A-090217-090218_100930-STA.TAB. The first eight columns of the .STA file follow (the column definitions are given in GRD_L1A-STATE.FMT):

SCET_UTC	STATE_INDEX	DELTA_SCLK	SCLK	TELREADOUT	TELSOH	MODE	HVPS1_SET	...
2009-02-17T16:58:00	0	19800	288161947	70	35	1	1058.82	...
2009-02-17T22:28:00	1	0	288181747	2000	35	1	1058.82	...
2009-02-17T22:28:00	2	8460	288181747	35	35	1	1058.82	...
2009-02-18T00:49:00	3	60	288190207	35	35	1	264.71	...
2009-02-18T00:50:00	4	-999	288190267	35	35	0	0	...

Note that the state file contains five entries (rows). The first entry gives the initial command state of the instrument and is assigned a state index of 0. The start time (SCET_UTC and SCLK ticks in seconds) for this state is given along with the amount of time in seconds (DELTA_SCLK) that GRaND was in this state. So, for approximately 19800s, the science data accumulation time (TELREADOUT) was set to 70s and the cadence of the state of health telemetry (TELSOH) was 35s. The instrument mode was 1 (normal). So, science data records were being written every 70s. The high voltage setting for the +Z phoswich (HVPS1_SET) was 1058.82V.

The first state is followed by STATE_INDEX 1, where TELREADOUT was set to 2000s. This is done prior to additional commanding to avoid dropped commands as discussed in the Data Processing Document and Prettyman et al. (2011). In following state (STATE_INDEX=2), TELREADOUT has been set to 35s in order to provide a high sample rate as GRaND approached Mars. Note that there is no difference between the SCLK or SCET_UTC times for STATE_INDEX 1 and 2. This is because the command state data are in the SOH telemetry and the SOH time is updated by a command from the spacecraft which is sent every 60s. The amount of time between the commands that set TELREADOUT in STATE_INDEX 1 and 2 was less than 60s. The instrument remains in STATE_INDEX 2 for approximately 8460s. This period of time includes Mars closest approach.

At 2009-02-18T00:49:00, the command state changes again. In this case, HVPS1_SET dropped to 264.71V, corresponding to the ramp down of HV as GRaND was gracefully powered off when the spacecraft entered into safe mode. In the last state (STATE_INDEX=4), GRaND is in standby mode (MODE=0) and the HVPS1_SET is 0. Because it is generally not possible to know how long GRaND was in the last state (e.g., the state may not change between downlinks), the last entry for DELTA_SCLK was assigned -999 (MISSING_CONSTANT).

It is important to understand that because commands can be sent at a cadence higher than TELSOH (typically 35s), the state file is not a complete record of commanding; however, the state file does provide a convenient way to identify long periods of time during which GRaND acquired science data (e.g., STATE_INDEX 0 and 2 above). Additional columns not shown in the example give coincidence window parameters needed to interpret the data.

6.3 RDR Data Product Format Description

The RDR data are derived from the EDR files, which cover arbitrary and irregular time periods, generally determined by the pattern of downlinks from the spacecraft. The RDR are typically evaluated for a single instrument state found in the EDR files, generally corresponding to the instrument fully configured for science data acquisition. Unless otherwise indicated, the value of TELREADOUT is the same for all records extracted from a particular EDR file. The EDR science records need not be contiguous; however, time-windows containing gaps are not included in the RDR. Generally, science data records with elevated counting rates associated with solar energetic particle (SEP) events will be excluded from the RDR; however, throughout MGA, solar activity was minimal and no records were lost.

The RDR files are contained in a single directory. The name of the directory includes the type of time series [CMA or DTS, see Table 5, the Data Processing Document, and Prettyman et al. (2011) for a description of how time series data are represented]:

- GRD-L1B-Y1M1D1-Y2M2D2_YCMCDC-CMA (directory name for a central moving average), or
- GRD-L1B-Y1M1D1-Y2M2D2_YCMCDC-DTS (directory name for a decimated time series).

The top level directory name contains the SCET UTC dates for the first and last science data records (Y1M1D1 and Y2M2D2, respectively), and the creation date (YCMCDC) for the archive. For example, for GRD-L1B-090217-090218_090517, the first science data record was acquired on 17-Feb-2009. The last science data record was acquired on 18-Feb-2009. The archive was created by the processing code on 17-May-2009.

The data files and formats are the same for both types of time series. All counting rates are reported as counts per second. Histograms have units of counts/second/channel. The processing parameters, including the window width and the value of TELREADOUT are given in the label files. The following files are included (note that 'TSI' is either 'CMA' or 'DTS', depending on the type of time series):

- GRD-L1B-Y1M1D1-Y2M2D2_YCMCDC-TSI-EPM.TAB - Contains a time series of ephemeris and pointing data, including the total livetime, the distance and direction to body center, the velocity of the spacecraft rotated into the reference frame of the instrument, the sub-satellite position and altitude, and the fractional solid angle subtended by the body at the spacecraft. In addition, the average counting rate for the 'coincidence of three or more sensors' scaler (SCALER_SCI[15]) is provided as an indicator of the interaction rate of galactic cosmic rays
- GRD-L1B-Y1M1D1-Y2M2D2_YCMCDC-TSI-NCR.TAB - Contains a time series of neutron counting rates determined from CAT1, CAT2, and CAT4 pulse height spectra. Counting rates sensitive to neutrons in the thermal, epithermal, and fast energy ranges are provided. Propagated uncertainties (1-sigma) are provided.
- GRD-L1B-Y1M1D1-Y2M2D2_YCMCDC-TSI-GCR.TAB - Contains a time series of net areas for selected full energy interaction peaks from the pulse height spectrum acquired by the BGO sensor. Propagated uncertainties (1-sigma) are provided.

- GRD-L1B-Y1M1D1-Y2M2D2_YCMCDC-TSI-BGO.TAB - Contains a time series of BGO 1024-channel pulse height spectra that have been adjusted so that the offset is 0 keV with a slope of 8.9 keV/channel. Note that the method for determining the uncertainty in the counting rates for each channel is provided in the format file.

The RDR for Vesta encounter deviates from the aforementioned structure in the following ways. All RDR data files are included at the top level of the DATA directory. A single file contains ephemeris, pointing, and geometry data along with selected measurements for each and every science data record acquired during Vesta encounter:

GRD-L1B-110503-120809_YCMCDC-EPG.TAB,

The BGO time-series of corrected gamma ray pulse height spectra are divided across Vesta encounter mission phases. See the Dawn mission catalog for a description of mission phases. For example, for the sub-phase Vesta Science LAMO (VSL), the corresponding BGO data file is

GRD-L1B-Y0M0D0-Y1M1D1_YCMCDC-VSL-BGOC.TAB,

where Y0M0D0 and Y1M1D1 are respectively the dates on which the first and last records of GRaND data were acquired during VSL.

Neither the EPG nor BGO RDR data files contain decimated or time-averaged data. Therefore, the aforementioned TSI designation is not included in the file names.

6.4 Data Product Design

The label provides descriptive information about the associated data file. PDS labels for all GRaND data have the same structure. Most of the keywords belong to one of the following groups:

1. File information
2. Time information
3. Data production information
4. Mission description
5. Instrument description
6. Geometry information
7. Dataset and product information
8. Data object (table) description
9. Data object structure description

Keywords belonging to the above groups are listed in the following sections, while the last section describes the other keywords. An example of an actual label is provided in Appendix A; more details on the possible values of each keyword and the origin of each value can be found in Appendix B. In the following sections, the values are given for the file “GRD-L1A-090216-090217_090703-BGO.LBL”, which is located on the L1A Mars flyby volume (DWNGRD_1A). Values for other files will differ.

PDS data product labels contain data element information that describes the physical structure of a data product file. The PDS file characteristic data elements are:

PDS_VERSION_ID	= PDS3
----------------	--------

6.4.1 File information

The keywords listed in this group describe the format of the data.

RECORD_TYPE	= FIXED_LENGTH
RECORD_BYTES	= 6176
FILE_RECORDS	= 819
^TABLE	= "GRD-L1A-090216-090217_110225-BGO.TAB"
PRODUCER_FULL_NAME	= "T. H. PRETTYMAN"
PRODUCER_INSTITUTION_NAME	= "PLANETARY SCIENCE INSTITUTE"
PRODUCT_CREATION_TIME	= 2011-02-25T00:46:38

RECORD_TYPE is the record format of the file; all GRaND data files will be using a fixed-length record format. RECORD_BYTES is the number of bytes in a record. FILE_RECORDS is the length of the data file in records number. PRODUCT_CREATION_TIME contains the date and time in which the PDS file was created. ^TABLE is a pointer to the data file.

6.4.2 Time information

The keywords listed in this group give the timing information.

START_TIME	= 2009-02-16T15:16
STOP_TIME	= 2009-02-17T21:22
SPACECRAFT_CLOCK_START_COUNT	= "0288069434.000"
SPACECRAFT_CLOCK_STOP_COUNT	= "0288177826.000"

START_TIME and STOP_TIME give the corrected UTC spacecraft time of start and stop of observation; the second keyword must always be present even if the stop time is unknown or unavailable.

SPACECRAFT_CLOCK_START_COUNT and SPACECRAFT_CLOCK_STOP_COUNT store the spacecraft time in its original form on the TM packet header.

6.4.3 Data production information

The keywords listed in this group give data production software information.

SOFTWARE_NAME	= "GRD_L1A_PIPELINE"
SOFTWARE_VERSION_ID	= "Version 1.0"

SOFTWARE_NAME, and SOFTWARE_VERSION_ID identify the software used to write the labels and format the data (i.e., the EGSE software for calibration and flight raw data, processing software for derived products).

6.4.4 Mission description

The keywords listed in this group describe mission, mission phase, instrument type and so on.

MISSION_NAME	= "DAWN MISSION TO VESTA AND CERES"
MISSION_ID	= "DAWN"
INSTRUMENT_HOST_NAME	= "DAWN"
INSTRUMENT_HOST_ID	= "DAWN"

6.4.5 Instrument description

The keywords listed in this group describe the instrument.

INSTRUMENT_ID	= "GRAND"
INSTRUMENT_NAME	= "GAMMA-RAY AND NEUTRON DETECTOR"

6.4.6 Geometry information

The keywords listed in this group give the geometry information.

MISSION_PHASE_NAME	= "MARS GRAVITY ASSIST (MGA)"
TARGET_NAME	= "MARS"
TARGET_TYPE	= "PLANET"
ORBIT_NUMBER	=

6.4.7 Dataset and product information

DATA_SET_ID	= "DAWN-M-GRAND-2-EDR-MARS-COUNTS-V1.0"
DATA_SET_NAME	= "DAWN GRAND RAW (EDR) MARS FLYBY COUNTS V1.0"
PRODUCT_ID	= "GRD-L1A-090216-090217_110225-BGO"
PRODUCT_TYPE	= "DATA"
PRODUCT_VERSION_ID	= "1.0"

PDS_VERSION_ID is the version number of the PDS standard document that is valid when a data product label is created.

The keyword PRODUCT_ID gives the actual name of the file containing the data.

6.4.8 Data Objects Definition

The PDS requires a separate data object definition within the product label for the TABLE object, to describe its structure and associated attributes. The object definition for a TABLE is in the form:

OBJECT	= TABLE
ROWS	= 819
ROW_BYTES	= 6176
INTERCHANGE_FORMAT	= ASCII
COLUMNS	= 1026
^STRUCTURE	= "GRD_L1A-BGO.FMT"
DESCRIPTION	=
END_OBJECT	= TABLE

ROWS, ROW_BYTES, and COLUMNS are the number of rows, and the fixed number of bytes per row, and columns (respectively) in the table. INTERCHANGE_FORMAT is the coding used in the archive file ("ASCII" or "BINARY"). ^STRUCTURE is a pointer to an external file which contains record structure information. DESCRIPTION is a text description of the file (the value has been omitted from list of sample values above).

6.4.9 Data object structure information

OBJECT	= COLUMN
NAME	= "SCET.UTC"
DATA_TYPE	= TIME
UNIT	= "N/A"
START_BYTE	= 1
BYTES	= 19
FORMAT	= "A19"

DESCRIPTION	=
END_OBJECT	= COLUMN

DATA_TYPE describes the alphanumeric format of the column. UNIT is the SI unit (singular) of the column value. START_BYTE and BYTES give the location (from the beginning of the record), and width of the column. FORMAT is the FORTRAN format specification of the column.

A. Appendix A: Sample PDS Labels

A.1 EDR Data Product Label

An example label for level 1A flight data is shown below. In the following example the non constant values, when present, must be meant only as examples. All the keywords that are not meaningful for a given phase of the mission will have a value "N/A".

```
PDS_VERSION_ID          = PDS3
/* label standards identifiers PDS Version 3.8 */

RECORD_TYPE              = FIXED_LENGTH
RECORD_BYTES             = 6176
FILE_RECORDS             = 1199
MD5_CHECKSUM             = "4dab8a01d725a83b004dc4db90e21dbc"
^TABLE                   = "GRD-L1A-071018-071019_110225-BGO.TAB"
PRODUCER_FULL_NAME       = "T. H. PRETTYMAN"
PRODUCER_INSTITUTION_NAME = "PLANETARY SCIENCE INSTITUTE"
PRODUCT_CREATION_TIME    = 2011-02-25T03:12:22
PRODUCT_ID               = "GRD-L1A-071018-071019_110225-BGO"
PRODUCT_TYPE             = "DATA"
PRODUCT_VERSION_ID       = "1.0"
START_TIME               = 2007-10-18T01:48
STOP_TIME                 = 2007-10-19T01:06
SPACECRAFT_CLOCK_START_COUNT = "0245944149.000"
SPACECRAFT_CLOCK_STOP_COUNT = "0246028079.000"
SOFTWARE_NAME            = "GRD_L1A_PIPELINE"
SOFTWARE_VERSION_ID      = "Version 1.0"
MISSION_NAME              = "DAWN MISSION TO VESTA AND CERES"
MISSION_ID                = "DAWN"
INSTRUMENT_HOST_NAME     = "DAWN"
INSTRUMENT_HOST_ID       = "DAWN"
INSTRUMENT_ID            = "GRAND"
INSTRUMENT_NAME          = "GAMMA-RAY AND NEUTRON DETECTOR"
MISSION_PHASE_NAME       = "INITIAL CHECKOUT (ICO)"
TARGET_NAME               = "CALIBRATION"
TARGET_TYPE              = "CALIBRATION"
DATA_SET_ID              = "DAWN-X-GRAND-2-EDR-CRUISE-COUNTS-V1.0"
DATA_SET_NAME = "DAWN GRAND RAW (EDR) CRUISE CHECKOUT/BACKGROUND COUNTS V1.0"
SPICE_FILE_NAME          = ("naif0009.tls",
"DAWN_203_SCLKSCET.00008.tsc")

OBJECT                    = TABLE
  ROWS                     = 1199
  ROW_BYTES                = 6176
  INTERCHANGE_FORMAT       = ASCII
```



```

COLUMNS                = 3
^STRUCTURE              = "GRD_L1A-BGO.FMT"
DESCRIPTION             = "

```

This time series contains GRaND EDR (levella) science data (APID 190) extracted from raw telmetry packets via a data pipeline.

The levella data were derived from the following raw data file:

```
grd_190pb_072920100_0100_0.dat
```

Each row contains levella science data that has been tagged with the SCET_UTC time and SCLK tics for the first packet of the corresponding science data record. The process of converting raw science data records to levella records involves separating the science data from the packet headers, decoding and unscrambling the event mode data, and decompressing the histograms.

This file contains a time series of BGO histograms.

```

"
END_OBJECT              = TABLE
END

```

A.2 EDR Data Product Structure File

This section contains copies of all of the format files for the GRaND level 1A (EDR) data products. Non-constant values, when present, are meant only as examples. All keywords that are not meaningful for a given column object will have a value "N/A".

A.2.1. *Instrument State Format File*

The instrument state file contains the instrument settings, including the mode, power supply states, high voltage settings, the data accumulation interval, and coincidence windows. The format file for the instrument state file is named "GRD_L1A-STATE.FMT".

```

OBJECT                  = COLUMN
  NAME                  = "SCET_UTC"
  DATA_TYPE            = TIME
  UNIT                  = "N/A"
  START_BYTE            = 1
  BYTES                 = 19
  FORMAT                = "A19"
  DESCRIPTION           = "
    The UTC spacecraft event time (SCET) determined from the packet's SCLK
    value. The time format is yyyy-mm-ddThr:mn:sc.
  "
END_OBJECT              = COLUMN

OBJECT                  = COLUMN

```

```

NAME                = "STATE_INDEX"
DATA_TYPE           = ASCII_INTEGER
UNIT                = "N/A"
START_BYTE         = 20
BYTES               = 5
FORMAT              = "I5"
VALID_MAXIMUM      = 9999
DESCRIPTION         = "
    The state index is a counter that starts at 0 and increments every
    time the state changes.
"
END_OBJECT          = COLUMN

OBJECT              = COLUMN
NAME                = "DELTA_SCLK"
DATA_TYPE           = ASCII_INTEGER
UNIT                = "SECONDS"
START_BYTE         = 25
BYTES               = 8
FORMAT              = "I8"
VALID_MAXIMUM      = 9999
MISSING_CONSTANT   = -999
DESCRIPTION         = "
    The number of SCLK ticks (seconds) that the instrument was in the
    state.  When only one state is present, then the duration is unknown.
    The last state for a file with multiple states has an unknown
    duration.  These states are assigned the MISSING_CONSTANT.
"
END_OBJECT          = COLUMN

OBJECT              = COLUMN
NAME                = "SCLK"
DATA_TYPE           = ASCII_INTEGER
UNIT                = "SECONDS"
START_BYTE         = 33
BYTES               = 11
FORMAT              = "I11"
VALID_MAXIMUM      = 4294967295
DESCRIPTION         = "
    Spacecraft clock count at the start of the SOH interval.
"
END_OBJECT          = COLUMN

OBJECT              = COLUMN
NAME                = "TELREADOUT"
DATA_TYPE           = ASCII_INTEGER
UNIT                = "SECONDS"
START_BYTE         = 44

```

```

BYTES                = 6
FORMAT               = "I6"
VALID_MINIMUM       = 15
VALID_MAXIMUM       = 2000
DESCRIPTION         = "
    Measurement interval for the science data.
"
END_OBJECT           = COLUMN

OBJECT               = COLUMN
NAME                 = "TELSOH"
DATA_TYPE            = ASCII_INTEGER
UNIT                 = "SECONDS"
START_BYTE           = 50
BYTES                = 6
FORMAT               = "I6"
VALID_MINIMUM       = 2
VALID_MAXIMUM       = 2000
DESCRIPTION         = "
    Measurement interval for the state-of-health readout.
"
END_OBJECT           = COLUMN

OBJECT               = COLUMN
NAME                 = "MODE"
DATA_TYPE            = ASCII_INTEGER
UNIT                 = "N/A"
START_BYTE           = 56
BYTES                = 2
FORMAT               = "I2"
DESCRIPTION         = "
    Instrument mode (0=Standby, 1=Normal, 2=Anneal)
"
END_OBJECT           = COLUMN

OBJECT               = COLUMN
NAME                 = "HVPS1_SET"
DATA_TYPE            = ASCII_REAL
UNIT                 = "VOLTS"
START_BYTE           = 58
BYTES                = 9
FORMAT               = "F9.2"
DESCRIPTION         = "
    Set point for high voltage power supply (HVPS) 1, which supplies the
    photomultiplier tube for the +Z phoswich.
"
END_OBJECT           = COLUMN

```

```

OBJECT          = COLUMN
NAME           = "HVPS1"
DATA_TYPE     = ASCII_INTEGER
UNIT          = "N/A"
START_BYTE    = 67
BYTES         = 2
FORMAT        = "I2"
VALID_MAXIMUM = 1
DESCRIPTION   = "

```

 If 1, then HVPS1 is enabled.

"

```

END_OBJECT     = COLUMN

```

```

OBJECT          = COLUMN
NAME           = "HVPS2_SET"
DATA_TYPE     = ASCII_REAL
UNIT          = "VOLTS"
START_BYTE    = 69
BYTES         = 9
FORMAT        = "F9.2"
DESCRIPTION   = "

```

 Set point for high voltage power supply (HVPS) 2, which supplies the
 photomultiplier tube for the -Z phoswich.

"

```

END_OBJECT     = COLUMN

```

```

OBJECT          = COLUMN
NAME           = "HVPS2"
DATA_TYPE     = ASCII_INTEGER
UNIT          = "N/A"
START_BYTE    = 78
BYTES         = 2
FORMAT        = "I2"
VALID_MAXIMUM = 1
DESCRIPTION   = "

```

 If 1, then HVPS2 is enabled.

"

```

END_OBJECT     = COLUMN

```

```

OBJECT          = COLUMN
NAME           = "HVPS3_SET"
DATA_TYPE     = ASCII_REAL
UNIT          = "VOLTS"
START_BYTE    = 80
BYTES         = 9
FORMAT        = "F9.2"
DESCRIPTION   = "

```

 Set point for high voltage power supply (HVPS) 3, which supplies the

```

    photomultiplier tube for the -Y boron-loaded plastic scintillator.
"
END_OBJECT          = COLUMN

OBJECT              = COLUMN
NAME                = "HVPS3"
DATA_TYPE           = ASCII_INTEGER
UNIT                = "N/A"
START_BYTE          = 89
BYTES               = 2
FORMAT              = "I2"
VALID_MAXIMUM       = 1
DESCRIPTION         = "
    If 1, then HVPS3 is enabled.
"
END_OBJECT          = COLUMN

OBJECT              = COLUMN
NAME                = "HVPS4_SET"
DATA_TYPE           = ASCII_REAL
UNIT                = "VOLTS"
START_BYTE          = 91
BYTES               = 9
FORMAT              = "F9.2"
DESCRIPTION         = "
    Set point for high voltage power supply (HVPS) 4, which supplies the
    photomultiplier tube for the +Y boron-loaded plastic scintillator.
"
END_OBJECT          = COLUMN

OBJECT              = COLUMN
NAME                = "HVPS4"
DATA_TYPE           = ASCII_INTEGER
UNIT                = "N/A"
START_BYTE          = 100
BYTES               = 2
FORMAT              = "I2"
VALID_MAXIMUM       = 1
DESCRIPTION         = "
    If 1, then HVPS4 is enabled.
"
END_OBJECT          = COLUMN

OBJECT              = COLUMN
NAME                = "HVPS5_SET"
DATA_TYPE           = ASCII_REAL
UNIT                = "VOLTS"
START_BYTE          = 102

```

```

BYTES                = 9
FORMAT               = "F9.2"
DESCRIPTION          = "
    Set point for high voltage power supply (HVPS) 5, which supplies the
    photomultiplier tube for the BGO scintillator.
"
END_OBJECT           = COLUMN

OBJECT               = COLUMN
NAME                 = "HVPS5"
DATA_TYPE            = ASCII_INTEGER
UNIT                 = "N/A"
START_BYTE           = 111
BYTES                = 2
FORMAT               = "I2"
VALID_MAXIMUM        = 1
DESCRIPTION          = "
    If 1, then HVPS5 is enabled.
"
END_OBJECT           = COLUMN

OBJECT               = COLUMN
NAME                 = "HVPS6_SET"
DATA_TYPE            = ASCII_REAL
UNIT                 = "VOLTS"
START_BYTE           = 113
BYTES                = 9
FORMAT               = "F9.2"
DESCRIPTION          = "
    Set point for high voltage power supply (HVPS) 6, which provides the bulk
    bias for the CZT array.
"
END_OBJECT           = COLUMN

OBJECT               = COLUMN
NAME                 = "HVPS6"
DATA_TYPE            = ASCII_INTEGER
UNIT                 = "N/A"
START_BYTE           = 122
BYTES                = 2
FORMAT               = "I2"
VALID_MAXIMUM        = 1
DESCRIPTION          = "
    If 1, then HVPS6 is enabled.
"
END_OBJECT           = COLUMN

OBJECT               = COLUMN

```

```

NAME                = "PM5_LVPS"
DATA_TYPE           = ASCII_INTEGER
UNIT                = "N/A"
START_BYTE         = 124
BYTES              = 2
FORMAT             = "I2"
VALID_MAXIMUM      = 1
DESCRIPTION        = "
    If 1, the analog +/-5V low voltage power supply is enabled.  The supply
    provides power for analog and digital components, including the
    scintillator pulse processing electronics and internal sensors
    (temperature and voltage).
"
END_OBJECT          = COLUMN

OBJECT              = COLUMN
NAME                = "P12_LVPS"
DATA_TYPE           = ASCII_INTEGER
UNIT                = "N/A"
START_BYTE         = 126
BYTES              = 2
FORMAT             = "I2"
VALID_MAXIMUM      = 1
DESCRIPTION        = "
    If 1, the +12V low power supply is enabled, which supplies the high
    voltage power supplies (if MODE=1) and the resistive heaters (if MODE=2)
    used to anneal the CZT array.
"
END_OBJECT          = COLUMN

OBJECT              = COLUMN
NAME                = "CZT_PM5_LVPS"
DATA_TYPE           = ASCII_INTEGER
UNIT                = "N/A"
START_BYTE         = 128
BYTES              = 2
FORMAT             = "I2"
VALID_MAXIMUM      = 1
DESCRIPTION        = "
    If 1, the +/-5V supply for the CZT analog pulse processing circuits
    is enabled.
"
END_OBJECT          = COLUMN

OBJECT              = COLUMN
NAME                = "CZT_ENABLES"
DATA_TYPE           = CHARACTER
UNIT                = "N/A"

```

```

START_BYTE          = 130
BYTES               = 17
FORMAT              = "A17"
DESCRIPTION         = "

```

Bit pattern indicating the state (1=disabled, 0=enabled) of each of the 16 CZT sensors, represented as a character string. For readability, the first character is blank. The remaining characters represent bits, read right to left, which give the state of the 16 sensors in order from 0-15. For example, the pattern 1111111111111110 indicates that all of the CZT sensors are disabled except for sensor 0. The pattern 0010000000000010 indicates that two of the sensors (1 and 13) are disabled.

```

"
END_OBJECT          = COLUMN

```

```

OBJECT              = COLUMN
NAME                = "NEMG_TOT_EVTS"
DATA_TYPE           = ASCII_INTEGER
UNIT                = "N/A"
START_BYTE          = 147
BYTES               = 5
FORMAT              = "I5"
VALID_MAXIMUM       = 6676
DESCRIPTION         = "

```

Total number of gamma ray events recorded in the science data file. Note that NEMG_TOT_EVTS + NEMN_TOT_EVTS is always less than or equal to 6676.

```

"
END_OBJECT          = COLUMN

```

```

OBJECT              = COLUMN
NAME                = "NEMG_CZT_EVTS"
DATA_TYPE           = ASCII_INTEGER
UNIT                = "N/A"
START_BYTE          = 152
BYTES               = 5
FORMAT              = "I5"
VALID_MAXIMUM       = 6676
DESCRIPTION         = "

```

The number of CZT single interaction (CAT10) events recorded in the event buffer. This value is always less than NEMG_TOT_EVTS.

```

"
END_OBJECT          = COLUMN

```

```

OBJECT              = COLUMN
NAME                = "NEMN_TOT_EVTS"
DATA_TYPE           = ASCII_INTEGER
UNIT                = "N/A"

```



```

START_BYTE           = 157
BYTES                = 5
FORMAT               = "I5"
VALID_MAXIMUM        = 6676
DESCRIPTION          = "
    Total number of neutron events recorded in the science data file. Note
    that NEMG_TOT_EVTS + NEMN_TOT_EVTS is always less than or equal to
    6676.
"
END_OBJECT           = COLUMN

OBJECT               = COLUMN
NAME                 = "L_BGO_CW"
DATA_TYPE            = ASCII_INTEGER
UNIT                 = "N/A"
START_BYTE           = 162
BYTES                = 5
FORMAT               = "I5"
VALID_MINIMUM        = 0
VALID_MAXIMUM        = 1023
DESCRIPTION          = "
    Lower channel (output of the BGO ADC)for the CAT2 coincidence window
    for the BGO sensor.
"
END_OBJECT           = COLUMN

OBJECT               = COLUMN
NAME                 = "H_BGO_CW"
DATA_TYPE            = ASCII_INTEGER
UNIT                 = "N/A"
START_BYTE           = 167
BYTES                = 5
FORMAT               = "I5"
VALID_MINIMUM        = 0
VALID_MAXIMUM        = 1023
DESCRIPTION          = "
    Upper channel (output of the BGO ADC)for the CAT2 coincidence window
    for the BGO sensor.
"
END_OBJECT           = COLUMN

OBJECT               = COLUMN
NAME                 = "L_BGO_ROI"
DATA_TYPE            = ASCII_INTEGER
UNIT                 = "N/A"
START_BYTE           = 172
BYTES                = 5
FORMAT               = "I5"

```

```

VALID_MINIMUM          = 0
VALID_MAXIMUM          = 1023
DESCRIPTION            = "
    Lower channel (output of the BGO ADC)for the CAT2 region of interest
    (ROI) for the BGO spectrum. Note that H_BGO_ROI - L_BGO_ROI = 64.
    The window gives range of channels for the CAT2 BGO pulse height spectra.
"
END_OBJECT             = COLUMN

OBJECT                 = COLUMN
NAME                   = "H_BGO_ROI"
DATA_TYPE              = ASCII_INTEGER
UNIT                   = "N/A"
START_BYTE             = 177
BYTES                  = 5
FORMAT                 = "I5"
VALID_MINIMUM          = 0
VALID_MAXIMUM          = 1023
DESCRIPTION            = "
    Upper channel (output of the BGO ADC)for the CAT2 region of interest
    (ROI) for the BGO spectrum. Note that H_BGO_ROI - L_BGO_ROI = 64.
    The window gives range of channels for the CAT2 BGO pulse height spectra.
"
END_OBJECT             = COLUMN

OBJECT                 = COLUMN
NAME                   = "L_BLP_MY_CW"
DATA_TYPE              = ASCII_INTEGER
UNIT                   = "N/A"
START_BYTE             = 182
BYTES                  = 4
FORMAT                 = "I4"
VALID_MINIMUM          = 0
VALID_MAXIMUM          = 255
DESCRIPTION            = "
    Lower channel (output of the BLP ADC)for the CAT2 coincidence window
    for the -Y BLP sensor.
"
END_OBJECT             = COLUMN

OBJECT                 = COLUMN
NAME                   = "H_BLP_MY_CW"
DATA_TYPE              = ASCII_INTEGER
UNIT                   = "N/A"
START_BYTE             = 186
BYTES                  = 4
FORMAT                 = "I4"
VALID_MINIMUM          = 0

```

```

VALID_MAXIMUM          = 255
DESCRIPTION            = "
    Upper channel (output of the BLP ADC)for the CAT2 coincidence window
    for the -Y BLP sensor.
"
END_OBJECT             = COLUMN

OBJECT                 = COLUMN
NAME                   = "L_BLP_MY_ROI"
DATA_TYPE              = ASCII_INTEGER
UNIT                   = "N/A"
START_BYTE             = 190
BYTES                  = 4
FORMAT                 = "I4"
VALID_MINIMUM          = 0
VALID_MAXIMUM          = 255
DESCRIPTION            = "
    Lower channel (output of the BLP ADC)for the CAT2 region of interest
    (ROI) for BLP -Y. Note that H_BLP_MY_ROI - L_BLP_MY_ROI = 64. The window
    gives the range of channels for the CAT2 BLP -Y pulse height spectra.
"
END_OBJECT             = COLUMN

OBJECT                 = COLUMN
NAME                   = "H_BLP_MY_ROI"
DATA_TYPE              = ASCII_INTEGER
UNIT                   = "N/A"
START_BYTE             = 194
BYTES                  = 4
FORMAT                 = "I4"
VALID_MINIMUM          = 0
VALID_MAXIMUM          = 255
DESCRIPTION            = "
    Upper channel (output of the BGO ADC)for the CAT2 region of interest
    (ROI) for BLP -Y. Note that H_BLP_MY_ROI - L_BLP_MY_ROI = 64. The window
    gives range of channels for the CAT2 BLP -Y pulse height spectra.
"
END_OBJECT             = COLUMN

OBJECT                 = COLUMN
NAME                   = "L_BLP_PY_CW"
DATA_TYPE              = ASCII_INTEGER
UNIT                   = "N/A"
START_BYTE             = 198
BYTES                  = 4
FORMAT                 = "I4"
VALID_MINIMUM          = 0
VALID_MAXIMUM          = 255

```

```

DESCRIPTION          = "
    Lower channel (output of the BLP ADC)for the CAT2 coincidence window
    for the +Y BLP sensor.
"
END_OBJECT           = COLUMN

OBJECT               = COLUMN
NAME                 = "H_BLP_PY_CW"
DATA_TYPE            = ASCII_INTEGER
UNIT                 = "N/A"
START_BYTE           = 202
BYTES                 = 4
FORMAT               = "I4"
VALID_MINIMUM        = 0
VALID_MAXIMUM        = 255
DESCRIPTION          = "
    Upper channel (output of the BLP ADC)for the CAT2 coincidence window
    for the +Y BLP sensor.
"
END_OBJECT           = COLUMN

OBJECT               = COLUMN
NAME                 = "L_BLP_PY_ROI"
DATA_TYPE            = ASCII_INTEGER
UNIT                 = "N/A"
START_BYTE           = 206
BYTES                 = 4
FORMAT               = "I4"
VALID_MINIMUM        = 0
VALID_MAXIMUM        = 255
DESCRIPTION          = "
    Lower channel (output of the BLP ADC)for the CAT2 region of interest
    (ROI) for BLP +Y. Note that H_BLP_PY_ROI - L_BLP_PY_ROI = 64. The window
    gives the range of channels for the CAT2 BLP +Y pulse height spectra.
"
END_OBJECT           = COLUMN

OBJECT               = COLUMN
NAME                 = "H_BLP_PY_ROI"
DATA_TYPE            = ASCII_INTEGER
UNIT                 = "N/A"
START_BYTE           = 210
BYTES                 = 4
FORMAT               = "I4"
VALID_MINIMUM        = 0
VALID_MAXIMUM        = 255
DESCRIPTION          = "
    Upper channel (output of the BGO ADC)for the CAT2 region of interest

```

(ROI) for BLP +Y. Note that $H_BLP_PY_ROI - L_BLP_PY_ROI = 64$. The window gives range of channels for the CAT2 BLP +Y pulse height spectra.

"

END_OBJECT = COLUMN

OBJECT = COLUMN
NAME = "L_BLP_MZ_CW"
DATA_TYPE = ASCII_INTEGER
UNIT = "N/A"
START_BYTE = 214
BYTES = 4
FORMAT = "I4"
VALID_MINIMUM = 0
VALID_MAXIMUM = 255
DESCRIPTION = "

Lower channel (output of the BLP ADC) for the CAT2 coincidence window for the -Z BLP sensor.

"

END_OBJECT = COLUMN

OBJECT = COLUMN
NAME = "H_BLP_MZ_CW"
DATA_TYPE = ASCII_INTEGER
UNIT = "N/A"
START_BYTE = 218
BYTES = 4
FORMAT = "I4"
VALID_MINIMUM = 0
VALID_MAXIMUM = 255
DESCRIPTION = "

Upper channel (output of the BLP ADC) for the CAT2 coincidence window for the -Z BLP sensor.

"

END_OBJECT = COLUMN

OBJECT = COLUMN
NAME = "L_BLP_MZ_ROI"
DATA_TYPE = ASCII_INTEGER
UNIT = "N/A"
START_BYTE = 222
BYTES = 4
FORMAT = "I4"
VALID_MINIMUM = 0
VALID_MAXIMUM = 255
DESCRIPTION = "

Lower channel (output of the BLP ADC) for the CAT2 region of interest (ROI) for BLP -Z. Note that $H_BLP_MZ_ROI - L_BLP_MZ_ROI = 64$. The window gives the range of channels for the CAT2 BLP -Z pulse height spectra.

```

"
END_OBJECT          = COLUMN

OBJECT              = COLUMN
NAME                = "H_BLP_MZ_ROI"
DATA_TYPE           = ASCII_INTEGER
UNIT                = "N/A"
START_BYTE          = 226
BYTES               = 4
FORMAT              = "I4"
VALID_MINIMUM       = 0
VALID_MAXIMUM       = 255
DESCRIPTION         = "
    Upper channel (output of the BGO ADC)for the CAT2 region of interest
    (ROI) for BLP -Z. Note that H_BLP_MZ_ROI - L_BLP_MZ_ROI = 64. The window
    gives range of channels for the CAT2 BLP -Z pulse height spectra.
"

END_OBJECT          = COLUMN

OBJECT              = COLUMN
NAME                = "L_BLP_PZ_CW"
DATA_TYPE           = ASCII_INTEGER
UNIT                = "N/A"
START_BYTE          = 230
BYTES               = 4
FORMAT              = "I4"
VALID_MINIMUM       = 0
VALID_MAXIMUM       = 255
DESCRIPTION         = "
    Lower channel (output of the BLP ADC)for the CAT2 coincidence window
    for the +Z BLP sensor.
"

END_OBJECT          = COLUMN

OBJECT              = COLUMN
NAME                = "H_BLP_PZ_CW"
DATA_TYPE           = ASCII_INTEGER
UNIT                = "N/A"
START_BYTE          = 234
BYTES               = 4
FORMAT              = "I4"
VALID_MINIMUM       = 0
VALID_MAXIMUM       = 255
DESCRIPTION         = "
    Upper channel (output of the BLP ADC)for the CAT2 coincidence window
    for the +Z BLP sensor.
"

END_OBJECT          = COLUMN

```

```

OBJECT          = COLUMN
NAME            = "L_BLP_PZ_ROI"
DATA_TYPE      = ASCII_INTEGER
UNIT           = "N/A"
START_BYTE     = 238
BYTES          = 4
FORMAT         = "I4"
VALID_MINIMUM  = 0
VALID_MAXIMUM  = 255
DESCRIPTION    = "
    Lower channel (output of the BLP ADC)for the CAT2 region of interest
    (ROI) for BLP +Z. Note that H_BLP_PZ_ROI - L_BLP_PZ_ROI = 64. The window
    gives the range of channels for the CAT2 BLP +Z pulse height spectra.
"
END_OBJECT     = COLUMN

OBJECT          = COLUMN
NAME            = "H_BLP_PZ_ROI"
DATA_TYPE      = ASCII_INTEGER
UNIT           = "N/A"
START_BYTE     = 242
BYTES          = 4
FORMAT         = "I4"
VALID_MINIMUM  = 0
VALID_MAXIMUM  = 255
DESCRIPTION    = "
    Upper channel (output of the BGO ADC)for the CAT2 region of interest
    (ROI) for BLP +Z. Note that H_BLP_PZ_ROI - L_BLP_PZ_ROI = 64. The window
    gives range of channels for the CAT2 BLP +Z pulse height spectra.
"
END_OBJECT     = COLUMN

```

A.2.2. *Instrument Readings Format File*

This file contains a time-ordered list of temperature and voltage readings averaged over each state-of-health accumulation interval (TELSOH), converted to physical units. The format file for the instrument readings file is named "GRD_L1A-READINGS.FMT".

```

OBJECT          = COLUMN
NAME            = "SCET.UTC"
DATA_TYPE      = TIME
UNIT           = "N/A"
START_BYTE     = 1
BYTES          = 19
FORMAT         = "A19"
DESCRIPTION    = "
    The UTC spacecraft event time (SCET) determined from the packet's SCLK
    value. The time format is yyyy-mm-ddThr:mn:sc.
"

```

```

"
END_OBJECT          = COLUMN

OBJECT              = COLUMN
NAME                = "SCLK"
DATA_TYPE           = ASCII_INTEGER
UNIT                = "SECONDS"
START_BYTE          = 20
BYTES               = 11
FORMAT              = "I11"
VALID_MAXIMUM       = 4294967295
DESCRIPTION         = "
    Spacecraft clock count at the start of the SOH interval.
"

```

```

END_OBJECT          = COLUMN

OBJECT              = COLUMN
NAME                = "V_HVPS1"
DATA_TYPE           = ASCII_REAL
UNIT                = "VOLTS"
START_BYTE          = 31
BYTES               = 9
FORMAT              = "F9.2"
DESCRIPTION         = "
    Reading for high voltage power supply (HVPS) 1, which supplies the
    photomultiplier tube for the +Z phoswich.
"

```

```

END_OBJECT          = COLUMN

OBJECT              = COLUMN
NAME                = "V_HVPS2"
DATA_TYPE           = ASCII_REAL
UNIT                = "VOLTS"
START_BYTE          = 40
BYTES               = 9
FORMAT              = "F9.2"
DESCRIPTION         = "
    Reading for high voltage power supply (HVPS) 2, which supplies the
    photomultiplier tube for the -Z phoswich.
"

```

```

END_OBJECT          = COLUMN

OBJECT              = COLUMN
NAME                = "V_HVPS3"
DATA_TYPE           = ASCII_REAL
UNIT                = "VOLTS"
START_BYTE          = 49
BYTES               = 9

```



```

FORMAT                = "F9.2"
DESCRIPTION           = "
    Reading for high voltage power supply (HVPS) 3, which supplies the
    photomultiplier tube for the -Y boron-loaded plastic scintillator.
"
END_OBJECT            = COLUMN

OBJECT                = COLUMN
NAME                  = "V_HVPS4"
DATA_TYPE             = ASCII_REAL
UNIT                  = "VOLTS"
START_BYTE            = 58
BYTES                 = 9
FORMAT                = "F9.2"
DESCRIPTION           = "
    Reading for high voltage power supply (HVPS) 4, which supplies the
    photomultiplier tube for the +Y boron-loaded plastic scintillator.
"
END_OBJECT            = COLUMN

OBJECT                = COLUMN
NAME                  = "V_HVPS5"
DATA_TYPE             = ASCII_REAL
UNIT                  = "VOLTS"
START_BYTE            = 67
BYTES                 = 9
FORMAT                = "F9.2"
DESCRIPTION           = "
    Reading for high voltage power supply (HVPS) 5, which supplies the
    photomultiplier tube for the BGO scintillator.
"
END_OBJECT            = COLUMN

OBJECT                = COLUMN
NAME                  = "V_HVPS6"
DATA_TYPE             = ASCII_REAL
UNIT                  = "VOLTS"
START_BYTE            = 76
BYTES                 = 9
FORMAT                = "F9.2"
DESCRIPTION           = "
    Reading for high voltage power supply (HVPS) 6, which provides the bulk
    bias for the CZT array.
"
END_OBJECT            = COLUMN

OBJECT                = COLUMN
NAME                  = "V_CZT70"

```

```

DATA_TYPE          = ASCII_REAL
UNIT               = "VOLTS"
START_BYTE        = 85
BYTES             = 9
FORMAT            = "F9.2"
DESCRIPTION       = "
    Reading for the differential bias supply for the CZT array.
"
END_OBJECT        = COLUMN

OBJECT            = COLUMN
NAME              = "T_CZT1"
DATA_TYPE        = ASCII_REAL
UNIT             = "CELSIUS"
START_BYTE      = 94
BYTES           = 9
FORMAT          = "F9.2"
DESCRIPTION     = "
    Temperature sensor 1 for the CZT array.
"
END_OBJECT      = COLUMN

OBJECT          = COLUMN
NAME            = "T_CZT2"
DATA_TYPE      = ASCII_REAL
UNIT           = "CELSIUS"
START_BYTE    = 103
BYTES         = 9
FORMAT        = "F9.2"
DESCRIPTION   = "
    Temperature sensor 2 for the CZT array.
"
END_OBJECT    = COLUMN

OBJECT        = COLUMN
NAME          = "T_CZT3"
DATA_TYPE    = ASCII_REAL
UNIT         = "CELSIUS"
START_BYTE  = 112
BYTES       = 9
FORMAT      = "F9.2"
DESCRIPTION = "
    Temperature sensor 3 for the CZT array.
"
END_OBJECT  = COLUMN

OBJECT      = COLUMN
NAME        = "T_CZT4"

```

```

DATA_TYPE           = ASCII_REAL
UNIT                = "CELSIUS"
START_BYTE         = 121
BYTES              = 9
FORMAT             = "F9.2"
DESCRIPTION        = "
    Temperature sensor 4 for the CZT array.
"
END_OBJECT          = COLUMN

OBJECT              = COLUMN
NAME                = "T_LVPS"
DATA_TYPE           = ASCII_REAL
UNIT                = "CELSIUS"
START_BYTE         = 130
BYTES              = 9
FORMAT             = "F9.2"
DESCRIPTION        = "
    Temperature sensor for the low voltage power supply.
"
END_OBJECT          = COLUMN

OBJECT              = COLUMN
NAME                = "T_HVPS"
DATA_TYPE           = ASCII_REAL
UNIT                = "CELSIUS"
START_BYTE         = 139
BYTES              = 9
FORMAT             = "F9.2"
DESCRIPTION        = "
    Temperature sensor for the high voltage power supply.
"
END_OBJECT          = COLUMN

OBJECT              = COLUMN
NAME                = "T_BGO"
DATA_TYPE           = ASCII_REAL
UNIT                = "CELSIUS"
START_BYTE         = 148
BYTES              = 9
FORMAT             = "F9.2"
DESCRIPTION        = "
    Temperature sensor for the BGO crystal (representative of the bulk
    scintillator temperature).
"
END_OBJECT          = COLUMN

OBJECT              = COLUMN

```

```

NAME                = "T_PMT"
DATA_TYPE           = ASCII_REAL
UNIT                = "CELSIUS"
START_BYTE         = 157
BYTES               = 9
FORMAT              = "F9.2"
DESCRIPTION         = "
    Temperature sensor for the photomultiplier tube assembly.
"
END_OBJECT          = COLUMN

OBJECT              = COLUMN
NAME                = "T_INTERFACE"
DATA_TYPE           = ASCII_REAL
UNIT                = "CELSIUS"
START_BYTE         = 166
BYTES               = 9
FORMAT              = "F9.2"
DESCRIPTION         = "
    Temperature sensor for the interface.
"
END_OBJECT          = COLUMN

```

A.2.3. *Science and State of Health Scaler Data Format File*

This file contains a time-ordered list of the scaler data recorded in either the science, or state-of-health telemetry. The format file is named "GRD_L1A-SCI-SCALER.FMT".

```

OBJECT              = COLUMN
NAME                = "SCET.UTC"
DATA_TYPE           = TIME
UNIT                = "N/A"
START_BYTE         = 1
BYTES               = 19
FORMAT              = "A19"
DESCRIPTION         = "
    The UTC spacecraft event time (SCET) at the end of the science
    accumulation interval, determined from the packet's SCLK
    value. The time format is yyyy-mm-ddThr:mn:sc.
"
END_OBJECT          = COLUMN

OBJECT              = COLUMN
NAME                = "SCLK"
DATA_TYPE           = ASCII_INTEGER

```

```

UNIT          = "SECONDS"
START_BYTE   = 20
BYTES        = 11
FORMAT       = "I11"
VALID_MAXIMUM = 4294967295
DESCRIPTION   = "
    Spacecraft clock count at the end of the science accumulation interval.
"
END_OBJECT   = COLUMN

OBJECT       = COLUMN
NAME         = "PSC_SCI"
DATA_TYPE    = "N/A"
START_BYTE   = 31
BYTES        = 6
FORMAT       = "I6"
VALID_MAXIMUM = 65535
DESCRIPTION   = "
    Packet sequence counter (PSC_SCI) from the science telemetry.
    The PSC for the first packet of each science data record
    is provided. The counter rolls over at 65535.
"
END_OBJECT   = COLUMN

OBJECT       = COLUMN
NAME         = "SCALER_SCI"
DATA_TYPE    = ASCII_INTEGER
UNIT         = "COUNTS"
START_BYTE   = 37
BYTES        = 138
ITEMS        = 23
ITEM_BYTES   = 6
FORMAT       = "I6"
VALID_MAXIMUM = 65535
DESCRIPTION   = "
    Scaler data from the APID190 science data file (23 scalers defined in
    the Levella dataset catalog file).
"
END_OBJECT   = COLUMN

```

A.2.4. **State of Health Scaler Format File**

This file contains a time-ordered list of the scaler data recorded in the state-of-health telemetry. The format file is named "GRD_L1A-SOH-SCALER.FMT".

```
OBJECT          = COLUMN
NAME            = "SCET.UTC"
DATA_TYPE      = TIME
UNIT           = "N/A"
START_BYTE     = 1
BYTES          = 19
FORMAT         = "A19"
DESCRIPTION    = "
    The UTC spacecraft event time (SCET) determined from the packet's SCLK
    value. The time format is yyyy-mm-ddThr:mn:sc.
"
END_OBJECT     = COLUMN

OBJECT          = COLUMN
NAME            = "SCLK"
DATA_TYPE      = ASCII_INTEGER
UNIT           = "SECONDS"
START_BYTE     = 20
BYTES          = 11
FORMAT         = "I11"
VALID_MAXIMUM  = 4294967295
DESCRIPTION    = "
    The last spacecraft clock count received by GRaND from the spacecraft.
    A timestamp command is sent by the spacecraft every 60s.
"
END_OBJECT     = COLUMN

OBJECT          = COLUMN
NAME            = "PSC_SOH"
DATA_TYPE      = "N/A"
START_BYTE     = 31
BYTES          = 6
FORMAT         = "I6"
VALID_MAXIMUM  = 65535
DESCRIPTION    = "
    Packet sequence counter (PSC_SOH) from the state-of-health telemetry.
    The counter rolls over at 65535.
"
END_OBJECT     = COLUMN

OBJECT          = COLUMN
NAME            = "SCALER_SOH"
DATA_TYPE      = ASCII_INTEGER
```

```

UNIT                = "COUNTS"
START_BYTE          = 37
BYTES               = 138
ITEMS               = 23
ITEM_BYTES          = 6
FORMAT              = "I6"
VALID_MAXIMUM       = 65535
DESCRIPTION         = "
    Scaler data from the APID191 state-of-health telemetry file (23 scalers
    defined in the Levella dataset catalog file).
"
END_OBJECT          = COLUMN

```

A.2.5. **BGO Pulse Height Spectra Format File**

This file contains a time-ordered list of pulse height spectra (1024 channels with units of uncorrected counts/channel) acquired by the BGO sensor. This format file is named “GRD_L1A-BGO.FMT”.

```

OBJECT              = COLUMN
NAME                = "SCET.UTC"
DATA_TYPE           = TIME
UNIT                = "N/A"
START_BYTE          = 1
BYTES               = 19
FORMAT              = "A19"
DESCRIPTION         = "
    The UTC spacecraft event time (SCET) determined from the SCLK value for
    the first packet in the science data record. The time format is
    yyyy-mm-ddThr:mn:sc.
"
END_OBJECT          = COLUMN

OBJECT              = COLUMN
NAME                = "SCLK"
DATA_TYPE           = ASCII_INTEGER
UNIT                = "SECONDS"
START_BYTE          = 20
BYTES               = 11
FORMAT              = "I11"
VALID_MAXIMUM       = 4294967295
DESCRIPTION         = "
    Spacecraft clock count recorded in the first packet of the science
    data record, indicating the starting time for the collection
    interval.
"
END_OBJECT          = COLUMN

```

```

OBJECT          = COLUMN
NAME           = "BGO_HIST"
DATA_TYPE      = ASCII_INTEGER
UNIT          = "COUNTS"
START_BYTE     = 31
BYTES         = 6144
ITEMS         = 1024
ITEM_BYTES    = 6
FORMAT        = "I6"
VALID_MAXIMUM  = 65535
DESCRIPTION    = "
    BGO pulse height histogram (1024 channels).
"
END_OBJECT     = COLUMN

```

A.2.6. *Gamma Ray Event Format File*

This file contains gamma ray event data as a binary time series. This format file is named "GRD_L1A-GAMMA_EVENTS.FMT".

```

OBJECT          = COLUMN
NAME           = "SCET.UTC"
DATA_TYPE      = TIME
UNIT          = "N/A"
START_BYTE     = 1
BYTES         = 20
DESCRIPTION    = "
    The UTC spacecraft event time (SCET) determined from the SCLK value for
    the first packet in the science data record. The time format is
    yyyy-mm-ddThr:mn:sc, including a trailing blank.
"
END_OBJECT     = COLUMN

OBJECT          = COLUMN
NAME           = "SCLK"
DATA_TYPE      = MSB_UNSIGNED_INTEGER
UNIT          = "SECONDS"
START_BYTE     = 21
BYTES         = 4
DESCRIPTION    = "
    Spacecraft clock count recorded in the first packet of the science
    data record, indicating the starting time for the collection
    interval.
"
END_OBJECT     = COLUMN

OBJECT          = COLUMN
NAME           = "SCALER_SCI"

```



```

DATA_TYPE          = MSB_UNSIGNED_INTEGER
UNIT               = "COUNTS"
START_BYTE        = 25
BYTES             = 92
ITEMS             = 23
ITEM_BYTES        = 4
DESCRIPTION        = "

```

Scaler data recorded in the science record (23 scalers) described in the dataset catalog.

"

```
END_OBJECT          = COLUMN
```

```

OBJECT             = COLUMN
NAME               = "ID_CZT"
DATA_TYPE          = MSB_UNSIGNED_INTEGER
UNIT               = "N/A"
START_BYTE        = 117
BYTES             = 3876
ITEMS             = 3876
ITEM_BYTES        = 1
VALID_MINIMUM     = 0
VALID_MAXIMUM     = 15
DESCRIPTION        = "

```

Vector of 3876 gamma events: CZT sensor indices (0-15) for each event.

"

```
END_OBJECT          = COLUMN
```

```

OBJECT             = COLUMN
NAME               = "CH_CZT"
DATA_TYPE          = MSB_UNSIGNED_INTEGER
UNIT               = "N/A"
START_BYTE        = 3993
BYTES             = 7752
ITEMS             = 3876
ITEM_BYTES        = 1
VALID_MINIMUM     = 0
VALID_MAXIMUM     = 2047
DESCRIPTION        = "

```

Vector of 3876 gamma events: CZT pulse height (0-2047) for each event.

"

```
END_OBJECT          = COLUMN
```

```

OBJECT             = COLUMN
NAME               = "CH_BGO"
DATA_TYPE          = MSB_UNSIGNED_INTEGER
UNIT               = "N/A"
START_BYTE        = 11745
BYTES             = 7752

```

```

ITEMS                = 3876
ITEM_BYTES           = 1
VALID_MINIMUM        = 0
VALID_MAXIMUM        = 511
DESCRIPTION           = "
    Vector of 3876 gamma events: BGO pulse height (0-511) for each event.
"
END_OBJECT           = COLUMN

```

A.2.7. *CAT1 Pulse Height Spectra for -Z Phoswich Format File*

These files contain time ordered lists of the 256-channel CAT1 pulse height spectra for the -Z phoswich. This format file is named "GRD_L1A-PHOS_MZ.FMT".

```

OBJECT               = COLUMN
NAME                 = "SCET.UTC"
DATA_TYPE            = TIME
UNIT                 = "N/A"
START_BYTE           = 1
BYTES                = 19
FORMAT               = "A19"
DESCRIPTION           = "
    The UTC spacecraft event time (SCET) determined from the SCLK value for
    the first packet in the science data record. The time format is
    yyyy-mm-ddThr:mn:sc.
"
END_OBJECT           = COLUMN

OBJECT               = COLUMN
NAME                 = "SCLK"
DATA_TYPE            = ASCII_INTEGER
UNIT                 = "SECONDS"
START_BYTE           = 20
BYTES                = 11
FORMAT               = "I11"
VALID_MAXIMUM        = 4294967295
DESCRIPTION           = "
    Spacecraft clock count recorded in the first packet of the science
    data record, indicating the starting time for the collection
    interval.
"
END_OBJECT           = COLUMN

OBJECT               = COLUMN
NAME                 = "PHOS_MZ"
DATA_TYPE            = ASCII_INTEGER
UNIT                 = "COUNTS"

```

```

START_BYTE          = 31
BYTES               = 1536
ITEMS               = 256
ITEM_BYTES          = 6
FORMAT              = "I6"
VALID_MAXIMUM       = 65535
DESCRIPTION          = "
    -Z phoswich pulse height histogram (256 channels).
"
END_OBJECT          = COLUMN

```

A.2.8. *CAT1 Pulse Height Spectra for +Z Phoswich Format File*

These files contain time ordered lists of the 256-channel CAT1 pulse height spectra for the +Z phoswich. This format file is named "GRD_L1A-PHOS_PZ.FMT".

```

OBJECT              = COLUMN
NAME                = "SCET.UTC"
DATA_TYPE           = TIME
UNIT                = "N/A"
START_BYTE          = 1
BYTES               = 19
FORMAT              = "A19"
DESCRIPTION          = "
    The UTC spacecraft event time (SCET) determined from the SCLK value for
    the first packet in the science data record. The time format is
    yyyy-mm-ddThr:mn:sc.
"
END_OBJECT          = COLUMN

OBJECT              = COLUMN
NAME                = "SCLK"
DATA_TYPE           = ASCII_INTEGER
UNIT                = "SECONDS"
START_BYTE          = 20
BYTES               = 11
FORMAT              = "I11"
VALID_MAXIMUM       = 4294967295
DESCRIPTION          = "
    Spacecraft clock count recorded in the first packet of the science
    data record, indicating the starting time for the collection
    interval.
"
END_OBJECT          = COLUMN

OBJECT              = COLUMN

```

```

NAME                = "PHOS_PZ"
DATA_TYPE           = ASCII_INTEGER
UNIT                = "COUNTS"
START_BYTE         = 31
BYTES              = 1536
ITEMS              = 256
ITEM_BYTES         = 6
FORMAT             = "I6"
VALID_MAXIMUM      = 65535
DESCRIPTION        = "
    +Z phoswich pulse height histogram (256 channels).
"
END_OBJECT         = COLUMN

```

A.2.9. **CAT2 BGO Pulse Height Spectra for BGO and -Z BLP Coincidences Format File**

These files contain time ordered lists of the 64-channel CAT2 BGO pulse height spectra for coincidences with the BGO and the -Z BLP sensors. This format file is named "GRD_L1A-BGO2_MZ.FMT".

```

OBJECT              = COLUMN
NAME                = "SCET.UTC"
DATA_TYPE           = TIME
UNIT                = "N/A"
START_BYTE         = 1
BYTES              = 19
FORMAT             = "A19"
DESCRIPTION        = "
    The UTC spacecraft event time (SCET) determined from the SCLK value for
    the first packet in the science data record.  The time format is
    yyyy-mm-ddThr:mn:sc.
"
END_OBJECT         = COLUMN

```

```

OBJECT              = COLUMN
NAME                = "SCLK"
DATA_TYPE           = ASCII_INTEGER
UNIT                = "SECONDS"
START_BYTE         = 20
BYTES              = 11
FORMAT             = "I11"
VALID_MAXIMUM      = 4294967295
DESCRIPTION        = "
    Spacecraft clock count recorded in the first packet of the science
    data record, indicating the starting time for the collection
    interval.
"

```

```

"
END_OBJECT          = COLUMN

OBJECT              = COLUMN
NAME                = "BGO2_MZ"
DATA_TYPE           = ASCII_INTEGER
UNIT                = "COUNTS"
START_BYTE          = 31
BYTES               = 384
ITEMS               = 64
ITEM_BYTES          = 6
FORMAT              = "I6"
VALID_MAXIMUM       = 65535
DESCRIPTION         = "
    BGO pulse height histogram (64 channels) for coincidence events between
    the -Z BLP and BGO scintillators (CAT2).
"
END_OBJECT          = COLUMN

```

A.2.10. **CAT2 BGO Pulse Height Spectra for BGO and +Z BLP Coincidences Format File**

These files contain time ordered lists of the 64-channel CAT2 BGO pulse height spectra for coincidences with the BGO and the +Z BLP sensors. This format file is named "GRD_L1A-BGO2_PZ.FMT".

```

OBJECT              = COLUMN
NAME                = "SCET.UTC"
DATA_TYPE           = TIME
UNIT                = "N/A"
START_BYTE          = 1
BYTES               = 19
FORMAT              = "A19"
DESCRIPTION         = "
    The UTC spacecraft event time (SCET) determined from the SCLK value for
    the first packet in the science data record. The time format is
    yyyy-mm-ddThr:mn:sc.
"
END_OBJECT          = COLUMN

OBJECT              = COLUMN
NAME                = "SCLK"
DATA_TYPE           = ASCII_INTEGER
UNIT                = "SECONDS"
START_BYTE          = 20
BYTES               = 11
FORMAT              = "I11"
VALID_MAXIMUM       = 4294967295
DESCRIPTION         = "

```

Spacecraft clock count recorded in the first packet of the science data record, indicating the starting time for the collection interval.

```

"
END_OBJECT          = COLUMN

OBJECT              = COLUMN
NAME                = "BGO2_PZ"
DATA_TYPE           = ASCII_INTEGER
UNIT                = "COUNTS"
START_BYTE          = 31
BYTES               = 384
ITEMS               = 64
ITEM_BYTES          = 6
FORMAT              = "I6"
VALID_MAXIMUM       = 65535
DESCRIPTION         = "
    BGO pulse height histogram (64 channels) for coincidence events between
    the +Z BLP and BGO scintillators (CAT2).
"
END_OBJECT          = COLUMN

```

A.2.11. **CAT2 BGO Pulse Height Spectra for BGO and -Y BLP Coincidences Format File**

These files contain time ordered lists of the 64-channel CAT2 BGO pulse height spectra for coincidences with the BGO and the -Y BLP sensors. This format file is named "GRD_L1A-BGO2_MY.FMT".

```

OBJECT              = COLUMN
NAME                = "SCET.UTC"
DATA_TYPE           = TIME
UNIT                = "N/A"
START_BYTE          = 1
BYTES               = 19
FORMAT              = "A19"
DESCRIPTION         = "
    The UTC spacecraft event time (SCET) determined from the SCLK value for
    the first packet in the science data record. The time format is
    yyyy-mm-ddThr:mn:sc.
"
END_OBJECT          = COLUMN

OBJECT              = COLUMN
NAME                = "SCLK"
DATA_TYPE           = ASCII_INTEGER
UNIT                = "SECONDS"

```

```

START_BYTE           = 20
BYTES                = 11
FORMAT               = "I11"
VALID_MAXIMUM        = 4294967295
DESCRIPTION           = "
    Spacecraft clock count recorded in the first packet of the science
    data record, indicating the starting time for the collection
    interval.
"
END_OBJECT           = COLUMN

OBJECT               = COLUMN
NAME                 = "BGO2_MY"
DATA_TYPE            = ASCII_INTEGER
UNIT                 = "COUNTS"
START_BYTE           = 31
BYTES                = 384
ITEMS                = 64
ITEM_BYTES           = 6
FORMAT               = "I6"
VALID_MAXIMUM        = 65535
DESCRIPTION           = "
    BGO pulse height histogram (64 channels) for coincidence events between
    the -Y BLP and BGO scintillators (CAT2).
"
END_OBJECT           = COLUMN

```

A.2.12. **CAT2 BGO Pulse Height Spectra for BGO and +Y BLP Coincidences Format File**

These files contain time ordered lists of the 64-channel CAT2 BGO pulse height spectra for coincidences with the BGO and the +Y BLP sensors. This format file is named "GRD_L1A-BGO2_PY.FMT".

```

OBJECT               = COLUMN
NAME                 = "SCET.UTC"
DATA_TYPE            = TIME
UNIT                 = "N/A"
START_BYTE           = 1
BYTES                = 19
FORMAT               = "A19"
DESCRIPTION           = "
    The UTC spacecraft event time (SCET) determined from the SCLK value for
    the first packet in the science data record. The time format is
    yyyy-mm-ddThr:mn:sc.
"
END_OBJECT           = COLUMN

```

```

OBJECT          = COLUMN
NAME            = "SCLK"
DATA_TYPE      = ASCII_INTEGER
UNIT           = "SECONDS"
START_BYTE     = 20
BYTES          = 11
FORMAT         = "I11"
VALID_MAXIMUM  = 4294967295
DESCRIPTION    = "

```

Spacecraft clock count recorded in the first packet of the science data record, indicating the starting time for the collection interval.

"

```

END_OBJECT      = COLUMN

```

```

OBJECT          = COLUMN
NAME            = "BGO2_PY"
DATA_TYPE      = ASCII_INTEGER
UNIT           = "COUNTS"
START_BYTE     = 31
BYTES          = 384
ITEMS          = 64
ITEM_BYTES     = 6
FORMAT         = "I6"
VALID_MAXIMUM  = 65535
DESCRIPTION    = "

```

BGO pulse height histogram (64 channels) for coincidence events between the +Y BLP and BGO scintillators (CAT2).

"

```

END_OBJECT      = COLUMN

```

A.2.13. **CAT2 BLP Pulse Height Spectra for BGO and -Z BLP Coincidences Format File**

These files contain time ordered lists of the 64-channel CAT2 BLP pulse height spectra for coincidences with the BGO and the -Z BLP sensor. This format file is named "GRD_L1A-BLP2_MZ.FMT".

```

OBJECT          = COLUMN
NAME            = "SCET.UTC"
DATA_TYPE      = TIME
UNIT           = "N/A"
START_BYTE     = 1
BYTES          = 19
FORMAT         = "A19"
DESCRIPTION    = "

```

The UTC spacecraft event time (SCET) determined from the SCLK value for

the first packet in the science data record. The time format is
yyyy-mm-ddThr:mn:sc.

```
"  
END_OBJECT          = COLUMN  
  
OBJECT              = COLUMN  
NAME                = "SCLK"  
DATA_TYPE           = ASCII_INTEGER  
UNIT                = "SECONDS"  
START_BYTE         = 20  
BYTES               = 11  
FORMAT              = "I11"  
VALID_MAXIMUM      = 4294967295  
DESCRIPTION         = "  
    Spacecraft clock count recorded in the first packet of the science  
    data record, indicating the starting time for the collection  
    interval.  
"  
END_OBJECT          = COLUMN
```

```
"  
END_OBJECT          = COLUMN  
  
OBJECT              = COLUMN  
NAME                = "BLP2_MZ"  
DATA_TYPE           = ASCII_INTEGER  
UNIT                = "COUNTS"  
START_BYTE         = 31  
BYTES               = 384  
ITEMS               = 64  
ITEM_BYTES         = 6  
FORMAT              = "I6"  
VALID_MAXIMUM      = 65535  
DESCRIPTION         = "  
    BLP pulse height histogram (64 channels) for coincidence events between  
    the -Z BLP and BGO scintillators (CAT2).  
"  
END_OBJECT          = COLUMN
```

A.2.14. **CAT2 BLP Pulse Height Spectra for BGO and +Z BLP Coincidences Format File**

These files contain time ordered lists of the 64-channel CAT2 BLP pulse height spectra for coincidences with the BGO and the +Z BLP sensor. This format file is named "GRD_L1A-BLP2_PZ.FMT".

```
OBJECT              = COLUMN  
NAME                = "SCET.UTC"  
DATA_TYPE           = TIME  
UNIT                = "N/A"  
START_BYTE         = 1
```

```

BYTES                = 19
FORMAT               = "A19"
DESCRIPTION          = "
    The UTC spacecraft event time (SCET) determined from the SCLK value for
    the first packet in the science data record.  The time format is
    yyyy-mm-ddThr:mn:sc.
"
END_OBJECT           = COLUMN

OBJECT               = COLUMN
NAME                 = "SCLK"
DATA_TYPE            = ASCII_INTEGER
UNIT                 = "SECONDS"
START_BYTE           = 20
BYTES                = 11
FORMAT               = "I11"
VALID_MAXIMUM        = 4294967295
DESCRIPTION          = "
    Spacecraft clock count recorded in the first packet of the science
    data record, indicating the starting time for the collection
    interval.
"
END_OBJECT           = COLUMN

OBJECT               = COLUMN
NAME                 = "BLP2_PZ"
DATA_TYPE            = ASCII_INTEGER
UNIT                 = "COUNTS"
START_BYTE           = 31
BYTES                = 384
ITEMS                = 64
ITEM_BYTES           = 6
FORMAT               = "I6"
VALID_MAXIMUM        = 65535
DESCRIPTION          = "
    BLP pulse height histogram (64 channels) for coincidence events between
    the +Z BLP and BGO scintillators (CAT2).
"
END_OBJECT           = COLUMN

```

A.2.15. **CAT2 BLP Pulse Height Spectra for BGO and -Y BLP Coincidences Format File**

These files contain time ordered lists of the 64-channel CAT2 BLP pulse height spectra for coincidences with the BGO and the -Y BLP sensor. This format file is named "GRD_L1A-BLP2_MY.FMT".

```
OBJECT               = COLUMN
```

```

NAME                = "SCET.UTC"
DATA_TYPE           = TIME
UNIT                = "N/A"
START_BYTE         = 1
BYTES              = 19
FORMAT             = "A19"
DESCRIPTION        = "
    The UTC spacecraft event time (SCET) determined from the SCLK value for
    the first packet in the science data record.  The time format is
    yyyy-mm-ddThr:mn:sc.
"
END_OBJECT          = COLUMN

OBJECT              = COLUMN
NAME                = "SCLK"
DATA_TYPE           = ASCII_INTEGER
UNIT                = "SECONDS"
START_BYTE         = 20
BYTES              = 11
FORMAT             = "I11"
VALID_MAXIMUM      = 4294967295
DESCRIPTION        = "
    Spacecraft clock count recorded in the first packet of the science
    data record, indicating the starting time for the collection
    interval.
"
END_OBJECT          = COLUMN

OBJECT              = COLUMN
NAME                = "BLP2_MY"
DATA_TYPE           = ASCII_INTEGER
UNIT                = "COUNTS"
START_BYTE         = 31
BYTES              = 384
ITEMS              = 64
ITEM_BYTES         = 6
FORMAT             = "I6"
VALID_MAXIMUM      = 65535
DESCRIPTION        = "
    BLP pulse height histogram (64 channels) for coincidence events between
    the -Y BLP and BGO scintillators (CAT2).
"
END_OBJECT          = COLUMN

```

A.2.16. **CAT2 BLP Pulse Height Spectra for BGO and +Y BLP Coincidences Format File**

These files contain time ordered lists of the 64-channel CAT2 BLP pulse height spectra for coincidences with the BGO and the +Y BLP sensor. This format file is named "GRD_L1A-BLP2_PY.FMT".

```
OBJECT                = COLUMN
NAME                  = "SCET.UTC"
DATA_TYPE             = TIME
UNIT                  = "N/A"
START_BYTE           = 1
BYTES                 = 19
FORMAT                = "A19"
DESCRIPTION           = "
    The UTC spacecraft event time (SCET) determined from the SCLK value for
    the first packet in the science data record.  The time format is
    yyyy-mm-ddThr:mn:sc.
"
END_OBJECT            = COLUMN

OBJECT                = COLUMN
NAME                  = "SCLK"
DATA_TYPE             = ASCII_INTEGER
UNIT                  = "SECONDS"
START_BYTE           = 20
BYTES                 = 11
FORMAT                = "I11"
VALID_MAXIMUM         = 4294967295
DESCRIPTION           = "
    Spacecraft clock count recorded in the first packet of the science
    data record, indicating the starting time for the collection
    interval.
"
END_OBJECT            = COLUMN

OBJECT                = COLUMN
NAME                  = "BLP2_PY"
DATA_TYPE             = ASCII_INTEGER
UNIT                  = "COUNTS"
START_BYTE           = 31
BYTES                 = 384
ITEMS                 = 64
ITEM_BYTES           = 6
FORMAT                = "I6"
VALID_MAXIMUM         = 65535
DESCRIPTION           = "
    BLP pulse height histogram (64 channels) for coincidence events between
    the +Y BLP and BGO scintillators (CAT2).
"
```

```
"
END_OBJECT          = COLUMN
```

A.2.17. **Neutron Event Format File**

This file contains the neutron event data as a binary time series. This format file is named "GRD_L1A-NEUTRON_EVENTS.FMT".

```
OBJECT              = COLUMN
NAME                = "SCET.UTC"
DATA_TYPE           = TIME
UNIT                = "N/A"
START_BYTE          = 1
BYTES               = 20
DESCRIPTION         = "
    The UTC spacecraft event time (SCET) determined from the SCLK value for
    the first packet in the science data record. The time format is
    yyyy-mm-ddThr:mn:sc, including a trailing blank.
```

```
"
END_OBJECT          = COLUMN
```

```
OBJECT              = COLUMN
NAME                = "SCLK"
DATA_TYPE           = MSB_UNSIGNED_INTEGER
UNIT                = "SECONDS"
START_BYTE          = 21
BYTES               = 4
DESCRIPTION         = "
    Spacecraft clock count recorded in the first packet of the science
    data record, indicating the starting time for the collection
    interval.
```

```
"
END_OBJECT          = COLUMN
```

```
OBJECT              = COLUMN
NAME                = "SCALER_SCI"
DATA_TYPE           = MSB_UNSIGNED_INTEGER
UNIT                = "COUNTS"
START_BYTE          = 25
BYTES               = 92
ITEMS               = 23
ITEM_BYTES          = 4
DESCRIPTION         = "
    Scaler data recorded in the science record (23 scalers) described in
    the dataset catalog.
```

```
"
END_OBJECT          = COLUMN
```

```

OBJECT          = COLUMN
NAME           = "ID_FIRST"
DATA_TYPE      = MSB_UNSIGNED_INTEGER
UNIT          = "N/A"
START_BYTE     = 117
BYTES         = 2800
ITEMS         = 2800
ITEM_BYTES     = 1
DESCRIPTION    = "
    Vector of 2800 neutron events: Scintillator index for the first pulse
    (0=+Z phoswich; 1=-Y BLP; 2=+Y BLP; 3=-Z phoswich).
"
END_OBJECT     = COLUMN

OBJECT          = COLUMN
NAME           = "CH_FIRST"
DATA_TYPE      = MSB_UNSIGNED_INTEGER
UNIT          = "N/A"
START_BYTE     = 2917
BYTES         = 2800
ITEMS         = 2800
ITEM_BYTES     = 1
VALID_MINIMUM  = 0
VALID_MAXIMUM  = 255
DESCRIPTION    = "
    Vector of 2800 neutron events: Height of the first pulse (0-255).
"
END_OBJECT     = COLUMN

OBJECT          = COLUMN
NAME           = "ID_SECOND"
DATA_TYPE      = MSB_UNSIGNED_INTEGER
UNIT          = "N/A"
START_BYTE     = 5717
BYTES         = 2800
ITEMS         = 2800
ITEM_BYTES     = 1
DESCRIPTION    = "
    Vector of 2800 neutron events: Scintillator index for the second pulse
    (0=+Z phoswich; 1=-Y BLP; 2=+Y BLP; 3=-Z phoswich).
"
END_OBJECT     = COLUMN

OBJECT          = COLUMN
NAME           = "CH_SECOND"
DATA_TYPE      = MSB_UNSIGNED_INTEGER
UNIT          = "N/A"
START_BYTE     = 8517

```

```

BYTES                = 2800
ITEMS                = 2800
ITEM_BYTES          = 1
VALID_MINIMUM       = 0
VALID_MAXIMUM       = 255
DESCRIPTION          = "
    Vector of 2800 neutron events: Height of the second pulse (0-255).
"
END_OBJECT           = COLUMN

OBJECT               = COLUMN
NAME                 = "TTSP"
DATA_TYPE            = MSB_UNSIGNED_INTEGER
UNIT                 = NANOSECONDS
SCALING_FACTOR       = 100
START_BYTE           = 11317
BYTES                = 2800
ITEMS                = 2800
ITEM_BYTES          = 1
VALID_MINIMUM       = 0
VALID_MAXIMUM       = 255
DESCRIPTION          = "
    Vector of 2800 neutron events: Time between the first and second pulse
    (0-255), with units of 100 nanoseconds/data number.
"
END_OBJECT           = COLUMN

```

A.3 RDR Data Product Label

An example label for level 1B flight data is shown below. In the following example the non constant values, when present, must be meant only as examples. All the keywords that are not meaningful for a given phase of the mission will have a value "N/A".

```

PDS_VERSION_ID      = PDS3
/* label standards identifiers PDS Version 3.8 */

RECORD_TYPE         = FIXED_LENGTH
RECORD_BYTES        = 196
FILE_RECORDS        = 232
MD5_CHECKSUM        = "033a19f16b1234101939b4bf8fb4c158"
^TABLE              = "GRD-L1B-090217-090218_110225-CMA-EPM.TAB"
PRODUCER_FULL_NAME  = "T. H. PRETTYMAN"
PRODUCER_INSTITUTION_NAME = "PLANETARY SCIENCE INSTITUTE"
PRODUCT_CREATION_TIME = 2011-02-25T06:09:07
PRODUCT_ID          = "GRD-L1B-090217-090218_110225-CMA-EPM"
PRODUCT_TYPE        = "DATA"
PRODUCT_VERSION_ID  = "1.0"

```

```

START_TIME           = 2009-02-17T22:32:29
STOP_TIME            = 2009-02-18T00:46:04
SOFTWARE_NAME        = "GRD_L1B_PIPELINE"
SOFTWARE_VERSION_ID  = "Version 1.0"
MISSION_NAME         = "DAWN MISSION TO VESTA AND CERES"
MISSION_ID           = "DAWN"
INSTRUMENT_HOST_NAME = "DAWN"
INSTRUMENT_HOST_ID   = "DAWN"
INSTRUMENT_ID        = "GRAND"
INSTRUMENT_NAME       = "GAMMA-RAY AND NEUTRON DETECTOR"
MISSION_PHASE_NAME   = "MARS GRAVITY ASSIST (MGA)"
TARGET_NAME          = "MARS"
TARGET_TYPE           = "PLANET"
DATA_SET_ID          = "DAWN-M-GRAND-3-RDR-MARS-COUNTS-V1.0"
DATA_SET_NAME = "DAWN GRAND CALIBRATED MARS FLYBY COUNTS V1.0"
SPICE_FILE_NAME      = ("naif0009.tls",
                        "DAWN_203_SCLKSCET.00014.tsc",
                        "dawn_rec_081109-090228_090306_v1.bsp",
                        "dawn_sc_090216_090222.bc",
                        "de421.bsp",
                        "pck00008.tpc",
                        "dawn_grand_v00.ti",
                        "dawn_v08.tf")

```

```

OBJECT               = TABLE
ROWS                 = 232
ROW_BYTES            = 196
INTERCHANGE_FORMAT   = ASCII
COLUMNS             = 19
^STRUCTURE           = "GRD_L1B-EPM.FMT"
DESCRIPTION          = "

```

This time series contains GRaND calibrated (level1b) data. The time series was constructed by averaging corrected counting rates over a moving window using one of two methods: Central Moving Average (CMA) or Decimated Time Series (DTS). The CMA method provides an result for each science data record by averaging over records on either side of the current point as illustrated here:

```

Science records      XXXXXXXXXXXXXXXXXXXXXXXXXXXXXXXXXXXXXXXX
                    ...
                    | 1 |
                    | 2 |
                    | 3 |
                    | 4 |
                    | 5 |
                    ....

```

where each of the time-ordered science records is indicated by an X and the window boundaries are indicated by the vertical bars.

The middle of each time series is labeled with an index (1, 2, ...).

The DTS method marches the window through the science data records, resulting in a decimated time series as follows:

```
Science records      XXXXXXXXXXXXXXXXXXXXXXXXXXXXXXXXXXXXXXXX
                    ...| 1 || 2 || 3 || 4 || 5 |...
```

The number of science data records averaged for each point in the time series is given by WINDOW_WIDTH, which is an odd integer. For both methods, all time, ephemeris, and pointing information is determined at the midpoint of the window.

The time series parameters for this data set are given here:

```
SERIES_TYPE = 0 Central Moving Average (CMA)
WINDOW_WIDTH = 5
TELREADOUT = 35
TRUE_TIME = 175
```

This file contains time, pointing, and ephemeris data determined using NAIF/SPICE kernels needed for the analysis of data acquired during Mars Gravity Assist (the target was IAU_MARS). The data includes the distance and direction to Mars center; the velocity of the spacecraft relative to Mars rotated into the instrument coordinate system, which is needed to determine the response of the instrument to low-energy neutrons; the sub-spacecraft longitude, latitude, and altitude; the fractional solid angle subtended by Mars at the spacecraft; and an averaged counting rate, which can be used as a proxy for the galactic cosmic ray flux.

```
"
END_OBJECT          = TABLE
END
```

A.4 RDR Data Product Structure File

This section contains copies of all of the format files for the GRaND level 1B (RDR) data products. Non-constant values, when present, are meant only as examples. All keywords that are not meaningful for a given column object will have a value “N/A”.

A.4.1 *Ephemeris and Pointing Format File*

These files contain a time series of ephemeris and pointing data, including the total livetime, the distance and direction to body center, the velocity of the spacecraft rotated into the reference frame of the instrument, the subsatellite position and altitude, and the fractional solid angle subtended by the body at the spacecraft. In addition, the average counting rate for the 'coincidence of three or more sensors' scaler (SCALER_SCI[15]) is provided as an indicator of the interaction rate of galactic cosmic rays. This format file is named “GRD_L1B-EPM.FMT”.

```

OBJECT                = COLUMN
  COLUMN_NUMBER       = 1
  NAME                 = "SCET.UTC"
  DATA_TYPE          = TIME
  START_BYTE          = 1
  BYTES                = 19
  FORMAT              = "A19"
  DESCRIPTION         = "
    The UTC spacecraft event time (SCET) at the middle of each time
    interval in the series.  The time format is yyyy-mm-ddThr:mn:sc.
  "
END_OBJECT            = COLUMN

OBJECT                = COLUMN
  COLUMN_NUMBER       = 2
  NAME                 = "ET"
  DATA_TYPE          = ASCII_INTEGER
  UNIT                = "SECONDS"
  START_BYTE          = 20
  BYTES                = 11
  FORMAT              = "I11"
  DESCRIPTION         = "
    Epoch time at the middle of each time interval in the series.
  "
END_OBJECT            = COLUMN

OBJECT                = COLUMN
  COLUMN_NUMBER       = 3
  NAME                 = "SERIES_TYPE"
  DATA_TYPE          = ASCII_INTEGER
  START_BYTE          = 31
  BYTES                = 2
  FORMAT              = "I2"
  VALID_MINIMUM       = 0
  VALID_MAXIMUM       = 1
  DESCRIPTION         = "
    Type of time series:
      SERIES_TYPE=0 is a Central Moving Average (CMA)
      SERIES_TYPE=1 is a Decimated Time Series (DTS)
  "
END_OBJECT            = COLUMN

OBJECT                = COLUMN
  COLUMN_NUMBER       = 4
  NAME                 = "WINDOW_WIDTH"
  DATA_TYPE          = ASCII_INTEGER
  START_BYTE          = 33

```

```

BYTES                = 6
FORMAT               = "I6"
DESCRIPTION          = "
    Number of science data records used to determine average counting rates
    that comprise the time series.
"
END_OBJECT           = COLUMN

OBJECT               = COLUMN
COLUMN_NUMBER        = 5
NAME                 = "TRUE_TIME"
DATA_TYPE            = TIME
UNIT                 = "SECONDS"
START_BYTE           = 39
BYTES                = 11
FORMAT               = "I11"
DESCRIPTION          = "
    Product of thw WINDOW_WIDTH and the science data record accumulation time
    (TELREADOUT). Gives the total accumulation time of the records used to
    determine the average counting rates.
"
END_OBJECT           = COLUMN

OBJECT               = COLUMN
COLUMN_NUMBER        = 6
NAME                 = "LIVE_TIME"
DATA_TYPE            = TIME
UNIT                 = "SECONDS"
START_BYTE           = 50
BYTES                = 11
FORMAT               = "F11.1"
DESCRIPTION          = "
    The total live time for the science data records used to determine the
    average counting rates. The live time is given by the true time minus
    the dead time, which is the amount of time the counting system was
    busy and unable to process interactions with the sensors. Counting rates
    are determined by dividing the measured counts by the live time.
"
END_OBJECT           = COLUMN

OBJECT               = COLUMN
COLUMN_NUMBER        = 7
NAME                 = "DISTANCE_MARS_CENTER"
DATA_TYPE            = ASCII_REAL
UNIT                 = "KM"
START_BYTE           = 61
BYTES                = 11
FORMAT               = "F11.1"

```

```

DESCRIPTION          = "
    Distance from the spacecraft to the center of Mars determined at the
    middle of the time interval.
"
END_OBJECT           = COLUMN

OBJECT               = COLUMN
COLUMN_NUMBER        = 8
NAME                 = "DIRECTION_MARS_CENTER_X"
DATA_TYPE            = ASCII_REAL
START_BYTE           = 72
BYTES                = 11
FORMAT               = "F11.5"
VALID_MINIMUM        = 0
VALID_MAXIMUM        = 1
DESCRIPTION          = "
    The cosine of the angle of the direction to Mars center relative to the
    X-axis of the instrument coordinate system determined at the middle of
    the time interval.
"
END_OBJECT           = COLUMN

OBJECT               = COLUMN
COLUMN_NUMBER        = 9
NAME                 = "DIRECTION_MARS_CENTER_Y"
DATA_TYPE            = ASCII_REAL
START_BYTE           = 83
BYTES                = 11
FORMAT               = "F11.5"
VALID_MINIMUM        = 0
VALID_MAXIMUM        = 1
DESCRIPTION          = "
    The cosine of the angle of the direction to Mars center relative to the
    Y-axis of the instrument coordinate system determined at the middle of
    the time interval.
"
END_OBJECT           = COLUMN

OBJECT               = COLUMN
COLUMN_NUMBER        = 10
NAME                 = "DIRECTION_MARS_CENTER_Z"
DATA_TYPE            = ASCII_REAL
START_BYTE           = 94
BYTES                = 11
FORMAT               = "F11.5"
VALID_MINIMUM        = 0
VALID_MAXIMUM        = 1
DESCRIPTION          = "

```

The cosine of the angle of the direction to Mars center relative to the Z-axis of the instrument coordinate system determined at the middle of the time interval.

"

END_OBJECT = COLUMN

OBJECT = COLUMN

COLUMN_NUMBER = 11

NAME = "VELOCITY_X"

DATA_TYPE = ASCII_REAL

UNIT = "KM/SECOND"

START_BYTE = 105

BYTES = 11

FORMAT = "F11.3"

DESCRIPTION = "

X-component of the velocity of the spacecraft relative to Mars rotated into the spacecraft coordinate system determined at the middle of the time interval.

"

END_OBJECT = COLUMN

OBJECT = COLUMN

COLUMN_NUMBER = 12

NAME = "VELOCITY_Y"

DATA_TYPE = ASCII_REAL

UNIT = "KM/SECOND"

START_BYTE = 116

BYTES = 11

FORMAT = "F11.3"

DESCRIPTION = "

Y-component of the velocity of the spacecraft relative to Mars rotated into the spacecraft coordinate system determined at the middle of the time interval.

"

END_OBJECT = COLUMN

OBJECT = COLUMN

COLUMN_NUMBER = 13

NAME = "VELOCITY_Z"

DATA_TYPE = ASCII_REAL

UNIT = "KM/SECOND"

START_BYTE = 127

BYTES = 11

FORMAT = "F11.3"

DESCRIPTION = "

Z-component of the velocity of the spacecraft relative to Mars rotated into the spacecraft coordinate system determined at the middle of the time interval.

```

"
END_OBJECT          = COLUMN

OBJECT              = COLUMN
COLUMN_NUMBER      = 14
NAME                = "LON"
DATA_TYPE          = ASCII_REAL
UNIT                = "DEGREES"
START_BYTE         = 138
BYTES               = 7
FORMAT              = "F7.1"
VALID_MINIMUM      = -180
VALID_MAXIMUM      = 180
DESCRIPTION         = "
    Longitude of the sub-spacecraft point.  East longitude convention is used.
"

```

```

"
END_OBJECT          = COLUMN

OBJECT              = COLUMN
COLUMN_NUMBER      = 15
NAME                = "LAT"
DATA_TYPE          = ASCII_REAL
UNIT                = "DEGREES"
START_BYTE         = 145
BYTES               = 6
FORMAT              = "F6.1"
VALID_MINIMUM      = -90
VALID_MAXIMUM      = 90
DESCRIPTION         = "
    Latitude of the sub-spacecraft point.
"

```

```

"
END_OBJECT          = COLUMN

OBJECT              = COLUMN
COLUMN_NUMBER      = 16
NAME                = "ALTITUDE"
DATA_TYPE          = ASCII_REAL
UNIT                = "KM"
START_BYTE         = 151
BYTES               = 11
FORMAT              = "F11.1"
DESCRIPTION         = "
    Altitude of the spacecraft determined at the middle of the time
    interval.
"

```

```

"
END_OBJECT          = COLUMN

OBJECT              = COLUMN

```

```

COLUMN_NUMBER      = 17
NAME               = "FRACTIONAL_SOLID_ANGLE"
DATA_TYPE         = ASCII_REAL
START_BYTE        = 162
BYTES             = 11
FORMAT            = "F11.4"
VALID_MINIMUM     = 0
VALID_MAXIMUM     = 1
DESCRIPTION       = "
    Fractional solid angle subtended by Mars at the spacecraft determined
    at the middle of the time interval.
"
END_OBJECT        = COLUMN

OBJECT            = COLUMN
COLUMN_NUMBER     = 18
NAME              = "GCR_MONITOR"
DATA_TYPE        = ASCII_REAL
UNIT             = "COUNTS/SECOND"
START_BYTE       = 173
BYTES            = 11
FORMAT           = "F11.5"
DESCRIPTION      = "
    Average counting rate for the 'greater than 3 interactions' scaler, used
    to monitor the flux of galactic cosmic rays.
"
END_OBJECT        = COLUMN

OBJECT            = COLUMN
COLUMN_NUMBER     = 19
NAME              = "GCR_MONITOR_SIGMA"
DATA_TYPE        = ASCII_REAL
UNIT             = "COUNTS/SECOND"
START_BYTE       = 184
BYTES            = 11
FORMAT           = "F11.5"
DESCRIPTION      = "
    Estimated uncertainty in GCR_MONITOR (1-sigma).
"
END_OBJECT        = COLUMN

```

A.4.2 Neutron Counting Rates Format File

These files contain a time series of neutron counting rates determined from CAT1, CAT2, and CAT4 pulse height spectra. This format file is named "GRD_L1B-NCR.FMT".

```
OBJECT            = COLUMN
```

```

COLUMN_NUMBER      = 1
NAME               = "SCET.UTC"
DATA_TYPE         = TIME
START_BYTE        = 1
BYTES             = 19
FORMAT            = "A19"
DESCRIPTION       = "
    The UTC spacecraft event time (SCET) at the middle of each time
    interval in the series.  The time format is yyyy-mm-ddThr:mn:sc.
"
END_OBJECT        = COLUMN

OBJECT            = COLUMN
COLUMN_NUMBER     = 2
NAME              = "CAT1_PZ_BLP"
DATA_TYPE        = ASCII_REAL
UNIT             = "COUNTS/SECOND"
START_BYTE       = 20
BYTES            = 10
FORMAT           = "F10.5"
DESCRIPTION      = "
    Net area of the 93 keVeq peak in the CAT1 spectrum from the 10B(n,alpha)
    reaction for the +Z phoswich.  Because the scintillator is shielded
    by Gd and Li-glass, CAT1_PZ_BLP is due primarily to neutrons in
    the epithermal energy range (between 0.3 eV and 0.7 MeV).
"
END_OBJECT        = COLUMN

OBJECT            = COLUMN
COLUMN_NUMBER     = 3
NAME              = "CAT1_PZ_BLP_SIGMA"
DATA_TYPE        = ASCII_REAL
UNIT             = "COUNTS/SECOND"
START_BYTE       = 30
BYTES            = 10
FORMAT           = "F10.5"
DESCRIPTION      = "
    Estimated uncertainty (1-sigma) in CAT1_PZ_BLP_SIGMA.
"
END_OBJECT        = COLUMN

OBJECT            = COLUMN
COLUMN_NUMBER     = 4
NAME              = "CAT1_PZ_LIG"
DATA_TYPE        = ASCII_REAL
UNIT             = "COUNTS/SECOND"
START_BYTE       = 40
BYTES            = 10

```



```

FORMAT                = "F10.5"
DESCRIPTION           = "
    Net area of the peak in the CAT1 spectrum from the 6Li(n,t)
    reaction for the +Z phoswich. CAT1_PZ_LIG is sensitive to thermal
    (<0.3 eV) and epithermal neutrons.
"
END_OBJECT            = COLUMN

OBJECT                = COLUMN
COLUMN_NUMBER         = 5
NAME                  = "CAT1_PZ_LIG_SIGMA"
DATA_TYPE             = ASCII_REAL
UNIT                  = "COUNTS/SECOND"
START_BYTE           = 50
BYTES                 = 10
FORMAT                = "F10.5"
DESCRIPTION           = "
    Estimated uncertainty (1-sigma) in CAT1_PZ_LIG.
"
END_OBJECT            = COLUMN

OBJECT                = COLUMN
COLUMN_NUMBER         = 6
NAME                  = "CAT2_MZ"
DATA_TYPE             = ASCII_REAL
UNIT                  = "COUNTS/SECOND"
START_BYTE           = 60
BYTES                 = 10
FORMAT                = "F10.5"
DESCRIPTION           = "
    Net area for the 478 keV peak from the CAT2 coincidence between the
    BGO and -Z BLP scintillators. The peak results from the deposition of
    93 keVee by the 10B(n,alpha) reaction products in the BLP in coincidence
    with the deposition of 478 keV in the BGO scintillator. Since the -Z
    scintillator is shielded by Gd and Li-glass, CAT2_MZ is primarily
    sensitive to epithermal neutrons (between 0.3 eV and 0.7 MeV).
"
END_OBJECT            = COLUMN

OBJECT                = COLUMN
COLUMN_NUMBER         = 7
NAME                  = "CAT2_MZ_SIGMA"
DATA_TYPE             = ASCII_REAL
UNIT                  = "COUNTS/SECOND"
START_BYTE           = 70
BYTES                 = 10
FORMAT                = "F10.5"
DESCRIPTION           = "

```

Estimated uncertainty (1-sigma) in CAT1_MZ.

```
"
END_OBJECT          = COLUMN

OBJECT              = COLUMN
COLUMN_NUMBER       = 8
NAME                = "CAT2_MY"
DATA_TYPE           = ASCII_REAL
UNIT                = "COUNTS/SECOND"
START_BYTE          = 80
BYTES               = 10
FORMAT              = "F10.5"
DESCRIPTION         = "
    Net area for the 478 keV peak from the CAT2 coincidence between the
    BGO and -Y BLP scintillators. The peak results from the deposition of
    93 keVee by the 10B(n,alpha) reaction products in the BLP in coincidence
    with the deposition of 478 keV in the BGO scintillator. Since the -Y
    BLP is unshielded, CAT2_MY is sensitive to thermal and epithermal
    neutrons.
```

```
"
END_OBJECT          = COLUMN

OBJECT              = COLUMN
COLUMN_NUMBER       = 9
NAME                = "CAT2_MY_SIGMA"
DATA_TYPE           = ASCII_REAL
UNIT                = "COUNTS/SECOND"
START_BYTE          = 90
BYTES               = 10
FORMAT              = "F10.5"
DESCRIPTION         = "
    Estimated uncertainty (1-sigma) in CAT1_MY.
```

```
"
END_OBJECT          = COLUMN

OBJECT              = COLUMN
COLUMN_NUMBER       = 10
NAME                = "CAT2_PY"
DATA_TYPE           = ASCII_REAL
UNIT                = "COUNTS/SECOND"
START_BYTE          = 100
BYTES               = 10
FORMAT              = "F10.5"
DESCRIPTION         = "
    Net area for the 478 keV peak from the CAT2 coincidence between the
    BGO and +Y BLP scintillators. The peak results from the deposition of
    93 keVee by the 10B(n,alpha) reaction products in the BLP in coincidence
    with the deposition of 478 keV in the BGO scintillator. Since the +Y
```

BLP is unshielded, CAT2_PY is sensitive to thermal and epithermal neutrons.

```
"
END_OBJECT          = COLUMN

OBJECT              = COLUMN
COLUMN_NUMBER       = 11
NAME                = "CAT2_PY_SIGMA"
DATA_TYPE           = ASCII_REAL
UNIT                = "COUNTS/SECOND"
START_BYTE          = 110
BYTES               = 10
FORMAT              = "F10.5"
DESCRIPTION         = "
    Estimated uncertainty (1-sigma) in CAT1_PY.
```

```
"
END_OBJECT          = COLUMN

OBJECT              = COLUMN
COLUMN_NUMBER       = 12
NAME                = "CAT2_PZ"
DATA_TYPE           = ASCII_REAL
UNIT                = "COUNTS/SECOND"
START_BYTE          = 120
BYTES               = 10
FORMAT              = "F10.5"
DESCRIPTION         = "
    Net area for the 478 keV peak from the CAT2 coincidence between the
    BGO and +Z BLP scintillators. The peak results from the deposition of
    93 keVee by the 10B(n,alpha) reaction products in the BLP in coincidence
    with the deposition of 478 keV in the BGO scintillator. Since the +Z
    scintillator is shielded by Gd and Li-glass, CAT2_PZ is primarily
    sensitive to epithermal neutrons (between 0.3 eV and 0.7 MeV).
```

```
"
END_OBJECT          = COLUMN

OBJECT              = COLUMN
COLUMN_NUMBER       = 13
NAME                = "CAT2_PZ_SIGMA"
DATA_TYPE           = ASCII_REAL
UNIT                = "COUNTS/SECOND"
START_BYTE          = 130
BYTES               = 10
FORMAT              = "F10.5"
DESCRIPTION         = "
    Estimated uncertainty (1-sigma) in CAT1_PZ.
```

```
"
END_OBJECT          = COLUMN
```

```

OBJECT                = COLUMN
COLUMN_NUMBER         = 14
NAME                  = "FAST_MZ"
DATA_TYPE             = ASCII_REAL
UNIT                  = "COUNTS/SECOND"
START_BYTE           = 140
BYTES                 = 10
FORMAT                = "F10.5"
DESCRIPTION           = "
    Fast neutron counting rate measured by the -Z BLP scintillator, determined
    from the event buffer and scaler counting data. FAST_MZ is sensitive
    to neutrons with energies greater than 0.7 MeV.
"
END_OBJECT            = COLUMN

OBJECT                = COLUMN
COLUMN_NUMBER         = 15
NAME                  = "FAST_MZ_SIGMA"
DATA_TYPE             = ASCII_REAL
UNIT                  = "COUNTS/SECOND"
START_BYTE           = 150
BYTES                 = 10
FORMAT                = "F10.5"
DESCRIPTION           = "
    Estimated uncertainty (1-sigma) in FAST_MZ.
"
END_OBJECT            = COLUMN

OBJECT                = COLUMN
COLUMN_NUMBER         = 16
NAME                  = "FAST_MY"
DATA_TYPE             = ASCII_REAL
UNIT                  = "COUNTS/SECOND"
START_BYTE           = 160
BYTES                 = 10
FORMAT                = "F10.5"
DESCRIPTION           = "
    Fast neutron counting rate measured by the -Y BLP scintillator, determined
    from the event buffer and scaler counting data. FAST_MY is sensitive
    to neutrons with energies greater than 0.7 MeV.
"
END_OBJECT            = COLUMN

OBJECT                = COLUMN
COLUMN_NUMBER         = 17
NAME                  = "FAST_MY_SIGMA"
DATA_TYPE             = ASCII_REAL

```

```

UNIT                = "COUNTS/SECOND"
START_BYTE         = 170
BYTES              = 10
FORMAT             = "F10.5"
DESCRIPTION        = "
    Estimated uncertainty (1-sigma) in FAST_MY.
"
END_OBJECT         = COLUMN

OBJECT             = COLUMN
COLUMN_NUMBER      = 18
NAME               = "FAST_PY"
DATA_TYPE          = ASCII_REAL
UNIT               = "COUNTS/SECOND"
START_BYTE         = 180
BYTES              = 10
FORMAT             = "F10.5"
DESCRIPTION        = "
    Fast neutron counting rate measured by the +Y BLP scintillator, determined
    from the event buffer and scaler counting data. FAST_PY is sensitive
    to neutrons with energies greater than 0.7 MeV.
"
END_OBJECT         = COLUMN

OBJECT             = COLUMN
COLUMN_NUMBER      = 19
NAME               = "FAST_PY_SIGMA"
DATA_TYPE          = ASCII_REAL
UNIT               = "COUNTS/SECOND"
START_BYTE         = 190
BYTES              = 10
FORMAT             = "F10.5"
DESCRIPTION        = "
    Estimated uncertainty (1-sigma) in FAST_PY.
"
END_OBJECT         = COLUMN

OBJECT             = COLUMN
COLUMN_NUMBER      = 20
NAME               = "FAST_PZ"
DATA_TYPE          = ASCII_REAL
UNIT               = "COUNTS/SECOND"
START_BYTE         = 200
BYTES              = 10
FORMAT             = "F10.5"
DESCRIPTION        = "
    Fast neutron counting rate measured by the +Z BLP scintillator, determined
    from the event buffer and scaler counting data. FAST_PZ is sensitive
    to neutrons with energies greater than 0.7 MeV.
"

```

```

"
END_OBJECT          = COLUMN

OBJECT              = COLUMN
COLUMN_NUMBER      = 21
NAME                = "FAST_PZ_SIGMA"
DATA_TYPE          = ASCII_REAL
UNIT                = "COUNTS/SECOND"
START_BYTE         = 210
BYTES               = 10
FORMAT              = "F10.5"
DESCRIPTION         = "
    Estimated uncertainty (1-sigma) in FAST_PZ.
"
END_OBJECT          = COLUMN

```

A.4.3 *Gamma Ray Counting Rates Format File*

These files contain a time series of net areas for selected full energy interaction peaks from the pulse height spectrum acquired by the BGO sensor. Propagated uncertainties (1-sigma) are provided. This format file is named "GRD_L1B-GCR.FMT".

```

OBJECT              = COLUMN
COLUMN_NUMBER      = 1
NAME                = "SCET.UTC"
DATA_TYPE          = TIME
START_BYTE         = 1
BYTES               = 19
FORMAT              = "A19"
DESCRIPTION         = "
    The UTC spacecraft event time (SCET) at the middle of each time
    interval in the series. The time format is yyyy-mm-ddThr:mn:sc.
"
END_OBJECT          = COLUMN

OBJECT              = COLUMN
COLUMN_NUMBER      = 2
NAME                = "BGO_ANNIHILATION"
DATA_TYPE          = ASCII_REAL
UNIT                = "COUNTS/SECOND"
START_BYTE         = 20
BYTES               = 10
FORMAT              = "F10.5"
DESCRIPTION         = "
    Net area for the 511 keV gamma ray peak (from positron
    annihilation) from the spectrum acquired by the BGO sensor.
"
END_OBJECT          = COLUMN

```

```

OBJECT                = COLUMN
COLUMN_NUMBER        = 3
NAME                 = "BGO_ANNIHILATION_SIGMA"
DATA_TYPE            = ASCII_REAL
UNIT                 = "COUNTS/SECOND"
START_BYTE           = 30
BYTES                 = 10
FORMAT               = "F10.5"
DESCRIPTION           = "
    Estimated uncertainty (1-sigma) in BGO_ANNIHILATION.
"

```

```
END_OBJECT            = COLUMN
```

```

OBJECT                = COLUMN
COLUMN_NUMBER        = 4
NAME                 = "BGO_P22"
DATA_TYPE            = ASCII_REAL
UNIT                 = "COUNTS/SECOND"
START_BYTE           = 40
BYTES                 = 10
FORMAT               = "F10.5"
DESCRIPTION           = "
    Net area for the gamma ray peak identified as the
    2.21 MeV gamma ray from neutron nonelastic scattering with Al from the
    spectrum acquired by the BGO sensor.
"

```

```
END_OBJECT            = COLUMN
```

```

OBJECT                = COLUMN
COLUMN_NUMBER        = 5
NAME                 = "BGO_P22_SIGMA"
DATA_TYPE            = ASCII_REAL
UNIT                 = "COUNTS/SECOND"
START_BYTE           = 50
BYTES                 = 10
FORMAT               = "F10.5"
DESCRIPTION           = "
    Estimated uncertainty (1-sigma) in BGO_P22.
"

```

```
END_OBJECT            = COLUMN
```

```

OBJECT                = COLUMN
COLUMN_NUMBER        = 6
NAME                 = "BGO_P44"
DATA_TYPE            = ASCII_REAL
UNIT                 = "COUNTS/SECOND"
START_BYTE           = 60

```

```

BYTES                = 10
FORMAT               = "F10.5"
DESCRIPTION          = "
    Net area for the gamma ray peak identified as the
    4.438 MeV gamma ray from the first excited state of 12C from the
    spectrum acquired by the BGO sensor.
"
END_OBJECT           = COLUMN

OBJECT               = COLUMN
COLUMN_NUMBER        = 7
NAME                 = "BGO_P44_SIGMA"
DATA_TYPE            = ASCII_REAL
UNIT                 = "COUNTS/SECOND"
START_BYTE           = 70
BYTES                = 10
FORMAT               = "F10.5"
DESCRIPTION          = "
    Estimated uncertainty (1-sigma) in BGO_P44.
"
END_OBJECT           = COLUMN

OBJECT               = COLUMN
COLUMN_NUMBER        = 8
NAME                 = "BGO_P61"
DATA_TYPE            = ASCII_REAL
UNIT                 = "COUNTS/SECOND"
START_BYTE           = 80
BYTES                = 10
FORMAT               = "F10.5"
DESCRIPTION          = "
    Net area for the gamma ray peak at identified as the
    6.129 MeV gamma ray from neutron nonelastic scattering with O from the
    spectrum acquired by the BGO sensor.
"
END_OBJECT           = COLUMN

OBJECT               = COLUMN
COLUMN_NUMBER        = 9
NAME                 = "BGO_P61_SIGMA"
DATA_TYPE            = ASCII_REAL
UNIT                 = "COUNTS/SECOND"
START_BYTE           = 90
BYTES                = 10
FORMAT               = "F10.5"
DESCRIPTION          = "
    Estimated uncertainty (1-sigma) in BGO_P61.
"

```



```

END_OBJECT          = COLUMN

OBJECT              = COLUMN
COLUMN_NUMBER      = 10
NAME                = "BGO_FE"
DATA_TYPE          = ASCII_REAL
UNIT                = "COUNTS/SECOND"
START_BYTE         = 100
BYTES               = 10
FORMAT              = "F10.5"
DESCRIPTION         = "
    Net area for the gamma ray peak at 7.6 MeV from neutron
    capture with Fe from the spectrum acquired by the BGO sensor.
"

END_OBJECT          = COLUMN

OBJECT              = COLUMN
COLUMN_NUMBER      = 11
NAME                = "BGO_FE_SIGMA"
DATA_TYPE          = ASCII_REAL
UNIT                = "COUNTS/SECOND"
START_BYTE         = 110
BYTES               = 10
FORMAT              = "F10.5"
DESCRIPTION         = "
    Estimated uncertainty (1-sigma) in BGO_FE.
"

END_OBJECT          = COLUMN

```

A.4.4 **Gamma Ray Pulse Height Spectra Format File**

Contains a time series of BGO 1024-channel pulse height spectra that have been adjusted so that the offset is 0 keV with a slope of 8.9 keV/channel. Note that the method for determining the uncertainty in the counting rates for each channel is provided in the format file. This format file is named "GRD_L1B-BGO.FMT".

```

OBJECT              = COLUMN
NAME                = "SCET.UTC"
DATA_TYPE          = TIME
START_BYTE         = 1
BYTES               = 19
FORMAT              = "A19"
DESCRIPTION         = "
    The UTC spacecraft event time (SCET) at the middle of each time
    interval in the series. The time format is yyyy-mm-ddThr:mn:sc.
"

```

```

END_OBJECT          = COLUMN

OBJECT              = COLUMN
  NAME              = "GAMMA_SPECTRUM_BGO"
  DATA_TYPE        = ASCII_INTEGER
  UNIT              = "COUNTS/SECOND/CHANNEL"
  START_BYTE        = 21
  BYTES             = 11264
  ITEMS            = 1024
  ITEM_BYTES        = 11
  FORMAT            = "F11.6"
  DESCRIPTION        = "
    Average gamma ray pulse height spectrum measured by the BGO sensor
    (1024 channels) corrected for ADC differential nonlinearity and with the
    gain and offset adjusted to 8.9 keV/channel and 0 keV, respectively.
    The uncertainty (1-sigma) in the counting rate for channel i is given by

      SIGMA_i = SQRT(GAMMA_SPECTRUM_BGO_i*LIVE_TIME)/LIVE_TIME

    LIVE_TIME is defined in GRD_L1B-EPM.FMT.
  "
END_OBJECT          = COLUMN

```

A.5 Index Table Label

```

PDS_VERSION_ID      = PDS3
RECORD_TYPE          = FIXED_LENGTH
RECORD_BYTES         = 359
FILE_RECORDS         = 35
^HEADER              = ("INDEX.TAB", 1<BYTES>)
^INDEX_TABLE         = ("INDEX.TAB", 360<BYTES>)
INSTRUMENT_HOST_ID  = "DAWN"

OBJECT              = HEADER
  HEADER_TYPE        = "TEXT"
  DESCRIPTION        = "This row assigns named to each column."
  RECORDS            = 1
  BYTES              = 359
END_OBJECT          = HEADER

OBJECT              = INDEX_TABLE
  INTERCHANGE_FORMAT = ASCII
  INDEX_TYPE         = SINGLE
  DESCRIPTION        = "INDEX.TAB lists all the data files on

```

```

                                this volume. It starts on line two
                                because the first row has column headers"
ROW_BYTES                       = 359
ROWS                             = 34
COLUMNS                         = 15

OBJECT                           = COLUMN
  NAME                           = DATA_SET_ID
  DESCRIPTION                     = "The DATA_SET_ID
                                associated with the file.
                                Please refer to the PDS Data Dictionary for
                                a full description"

  DATA_TYPE                     = CHARACTER
  START_BYTE                     = 2
  BYTES                          = 35
END_OBJECT                       = COLUMN

OBJECT                           = COLUMN
  NAME                           = FILE_SPECIFICATION_NAME
  DESCRIPTION                     = "The FILE_SPECIFICATION_NAME
                                associated with the file.
                                Please refer to the PDS Data Dictionary for
                                a full description"

  DATA_TYPE                     = CHARACTER
  START_BYTE                     = 40
  BYTES                          = 91
END_OBJECT                       = COLUMN

OBJECT                           = COLUMN
  NAME                           = PRODUCT_ID
  DESCRIPTION                     = "The PRODUCT_ID
                                associated with the file.
                                Please refer to the PDS Data Dictionary for
                                a full description"

  DATA_TYPE                     = CHARACTER
  START_BYTE                     = 134
  BYTES                          = 10
END_OBJECT                       = COLUMN

OBJECT                           = COLUMN
  NAME                           = VOLUME_ID
  DESCRIPTION                     = "The VOLUME_ID

```

associated with the file.
Please refer to the PDS Data Dictionary for a full description"

DATA_TYPE = CHARACTER
START_BYTE = 147
BYTES = 10
END_OBJECT = COLUMN

OBJECT = COLUMN
NAME = PRODUCT_CREATION_TIME
DESCRIPTION = "The PRODUCT_CREATION_TIME associated with the file.
Please refer to the PDS Data Dictionary for a full description"

DATA_TYPE = TIME
START_BYTE = 159
BYTES = 21
END_OBJECT = COLUMN

OBJECT = COLUMN
NAME = START_TIME
DESCRIPTION = "The START_TIME associated with the file.
Please refer to the PDS Data Dictionary for a full description"

DATA_TYPE = TIME
START_BYTE = 181
BYTES = 16
END_OBJECT = COLUMN

OBJECT = COLUMN
NAME = STOP_TIME
DESCRIPTION = "The STOP_TIME associated with the file.
Please refer to the PDS Data Dictionary for a full description"

DATA_TYPE = TIME
START_BYTE = 198
BYTES = 16
END_OBJECT = COLUMN

OBJECT = COLUMN

NAME	= MISSION_PHASE_NAME
DESCRIPTION	= "The MISSION_PHASE_NAME associated with the file. Please refer to the PDS Data Dictionary for a full description"
DATA_TYPE	= CHARACTER
START_BYTE	= 216
BYTES	= 25
END_OBJECT	= COLUMN
OBJECT	= COLUMN
NAME	= INSTRUMENT_ID
DESCRIPTION	= "The INSTRUMENT_ID associated with the file. Please refer to the PDS Data Dictionary for a full description"
DATA_TYPE	= CHARACTER
START_BYTE	= 244
BYTES	= 13
END_OBJECT	= COLUMN
OBJECT	= COLUMN
NAME	= TARGET_TYPE
DESCRIPTION	= "The TARGET_TYPE associated with the file. Please refer to the PDS Data Dictionary for a full description"
DATA_TYPE	= CHARACTER
START_BYTE	= 260
BYTES	= 11
END_OBJECT	= COLUMN
OBJECT	= COLUMN
NAME	= TARGET_NAME
DESCRIPTION	= "The TARGET_NAME associated with the file. Please refer to the PDS Data Dictionary for a full description"
DATA_TYPE	= CHARACTER
START_BYTE	= 274
BYTES	= 11
END_OBJECT	= COLUMN

OBJECT	= COLUMN
NAME	= ORBIT_NUMBER
DESCRIPTION	= "The ORBIT_NUMBER associated with the file. Please refer to the PDS Data Dictionary for a full description"
DATA_TYPE	= CHARACTER
START_BYTE	= 287
BYTES	= 12
END_OBJECT	= COLUMN
OBJECT	= COLUMN
NAME	= INTEGRATION_DURATION
DESCRIPTION	= "The INTEGRATION_DURATION associated with the file. Please refer to the PDS Data Dictionary for a full description"
DATA_TYPE	= CHARACTER
START_BYTE	= 301
BYTES	= 20
END_OBJECT	= COLUMN
OBJECT	= COLUMN
NAME	= OBSERVATION_ID
DESCRIPTION	= "The OBSERVATION_ID associated with the file. Please refer to the PDS Data Dictionary for a full description"
DATA_TYPE	= CHARACTER
START_BYTE	= 324
BYTES	= 14
END_OBJECT	= COLUMN
OBJECT	= COLUMN
NAME	= OBSERVATION_TYPE
DESCRIPTION	= "The OBSERVATION_TYPE associated with the file. Please refer to the PDS Data Dictionary for a full description"
DATA_TYPE	= CHARACTER
START_BYTE	= 341

```

        BYTES                = 16
    END_OBJECT              = COLUMN

    END_OBJECT              = INDEX_TABLE
END

```

A.6 Example Document Label

The following is an example document label. The label provided here is for the GRaND Data Processing document.

```

PDS_VERSION_ID            = PDS3
MISSION_NAME              = "DAWN MISSION TO VESTA AND CERES"
SPACECRAFT_NAME          = "DAWN"
INSTRUMENT_NAME          = "GAMMA-RAY AND NEUTRON DETECTOR"
INSTRUMENT_ID            = "GRAND"
DATA_SET_ID              = {"DAWN-M-GRAND-2-EDR-MARS-COUNTS-V1.0",
                             "DAWN-X-GRAND-2-EDR-CRUISE-COUNTS-V1.0",
                             "DAWN-M-GRAND-3-RDR-CRUISE-COUNTS-V1.0"}
PRODUCT_ID               = "GRAND_DATA_PROC"
PRODUCT_TYPE             = "DOCUMENT"
RECORD_TYPE              = STREAM
DESCRIPTION               = "
                            PDS Data Processing
                            Gamma Ray and Neutron Detector
                            Thomas H. Prettyman and William C. Feldman
                            Version 2.3, 09-Feb-2010
                            Data processing for the reduction of gamma ray and neutron
                            spectroscopy data acquired by the NASA Dawn mission's Gamma Ray
                            and Neutron Detector (GRaND) is described."
OBJECT                   = PDF_DOCUMENT
    DOCUMENT_NAME        = "GRaND Data Processing Description V2.3"
    DOCUMENT_TOPIC_TYPE  = "DATA ANALYSIS"
    INTERCHANGE_FORMAT   = BINARY
    DOCUMENT_FORMAT      = "ADOBE PDF"
    PUBLICATION_DATE     = 2010-02-09
    FILES                = 1
END_OBJECT              = PDF_DOCUMENT

OBJECT                   = HTML_DOCUMENT
    DOCUMENT_NAME        = "GRaND Data Processing Description V2.3"
    DOCUMENT_TOPIC_TYPE  = "DATA ANALYSIS"
    INTERCHANGE_FORMAT   = ASCII
    DOCUMENT_FORMAT      = "HTML"
    PUBLICATION_DATE     = 2010-02-09
    FILES                = 1

```

```

END_OBJECT                = HTML_DOCUMENT

OBJECT                    = JPG_DOCUMENT
  DOCUMENT_NAME           = "GRaND Data Processing Description V2.3"
  DOCUMENT_TOPIC_TYPE    = "DATA ANALYSIS"
  INTERCHANGE_FORMAT     = BINARY
  DOCUMENT_FORMAT        = "JPG"
  PUBLICATION_DATE       = 2010-02-09
  FILES                   = 36
  DESCRIPTION             = "These are the JPG images referenced by the
                            HTML version of the data processing document."

END_OBJECT                = JPG_DOCUMENT

^PDF_DOCUMENT            = "GRAND_DATA_PROC.PDF"
^HTML_DOCUMENT           = "GRAND_DATA_PROC.HTM"
^JPG_DOCUMENT            = {
  "GRAND_DATA_PROC_IMG_0.JPG",
  "GRAND_DATA_PROC_IMG_1.JPG",
  "GRAND_DATA_PROC_IMG_2.JPG",
  "GRAND_DATA_PROC_IMG_3.JPG",
  "GRAND_DATA_PROC_IMG_4.JPG",
  "GRAND_DATA_PROC_IMG_5.JPG",
  "GRAND_DATA_PROC_IMG_6.JPG",
  "GRAND_DATA_PROC_IMG_7.JPG",
  "GRAND_DATA_PROC_IMG_8.JPG",
  "GRAND_DATA_PROC_IMG_9.JPG",
  "GRAND_DATA_PROC_IMG_10.JPG",
  "GRAND_DATA_PROC_IMG_11.JPG",
  "GRAND_DATA_PROC_IMG_12.JPG",
  "GRAND_DATA_PROC_IMG_13.JPG",
  "GRAND_DATA_PROC_IMG_14.JPG",
  "GRAND_DATA_PROC_IMG_15.JPG",
  "GRAND_DATA_PROC_IMG_16.JPG",
  "GRAND_DATA_PROC_IMG_17.JPG",
  "GRAND_DATA_PROC_IMG_18.JPG",
  "GRAND_DATA_PROC_IMG_19.JPG",
  "GRAND_DATA_PROC_IMG_20.JPG",
  "GRAND_DATA_PROC_IMG_21.JPG",
  "GRAND_DATA_PROC_IMG_22.JPG",
  "GRAND_DATA_PROC_IMG_23.JPG",
  "GRAND_DATA_PROC_IMG_24.JPG",
  "GRAND_DATA_PROC_IMG_25.JPG",
  "GRAND_DATA_PROC_IMG_26.JPG",
  "GRAND_DATA_PROC_IMG_27.JPG",
  "GRAND_DATA_PROC_IMG_28.JPG",
  "GRAND_DATA_PROC_IMG_29.JPG",
  "GRAND_DATA_PROC_IMG_30.JPG",
  "GRAND_DATA_PROC_IMG_31.JPG",

```



```
"GRAND_DATA_PROC_IMG_32.JPG",  
"GRAND_DATA_PROC_IMG_33.JPG",  
"GRAND_DATA_PROC_IMG_34.JPG",  
"GRAND_DATA_PROC_IMG_35.JPG"  
}
```

END

B. Appendix B. Support Staff and Cognizant Persons

<i>Table 115: GRaND Archive Generation Support Staff</i>			
Instrument Team			
Dr. Thomas H. Prettyman GRaND Instrument Lead; Geochemistry Lead	Planetary Science Institute Albuquerque, NM	505-690-5128; 505-221-5939	prettyman@psi.edu
Dr. Naoyuki Yamashita Dawn/GRaND Associate	Planetary Science Institute Albuquerque, NM	505-369-7747	yamashita@psi.edu
DSC			
Dr. Steven P. Joy PPI Operations Manager	UCLA-IGPP 405 Hilgard Ave Los Angeles, CA 90095-1567	310-825-3506	sjoy@igpp.ucla.edu
Mr. Joe Mafi PPI Data Engineer	UCLA-IGPP 405 Hilgard Ave Los Angeles, CA 90095-1567	310-206-6073	jmafi@igpp.ucla.edu
SBN			
Ms. Carol Neese	Planetary Science Institute 1700 East Ft. Lowell, Ste. 106 Tucson, AZ 85719-2395	520-322-8060	neese@psi.edu
Dr. Mark V. Sykes	Planetary Science Institute 1700 East Ft. Lowell, Ste. 106 Tucson, AZ 85719-2395	520-322-8925	sykes@psi.edu